

Model JVM-0C

Indoor/Outdoor Voltage Transformer
10 kV BIL, 69-600 V

Application

Designed for indoor service; suitable for operating meters, instruments, relays and control devices. Unfused models are suitable for outdoor service.

Regulatory Agency Approvals

UL RecognizedFile E93779

Thermal Rating

55 °C Rise above 30 °C Ambient750 VA
30 °C Rise above 55 °C Ambient500 VA

Weight

(Approximate).....25 lbs

Reference Drawings

Outline0122C33702

Insulation Level

0.6 kV; BIL 10 kV full wave

Frequency

60 Hz



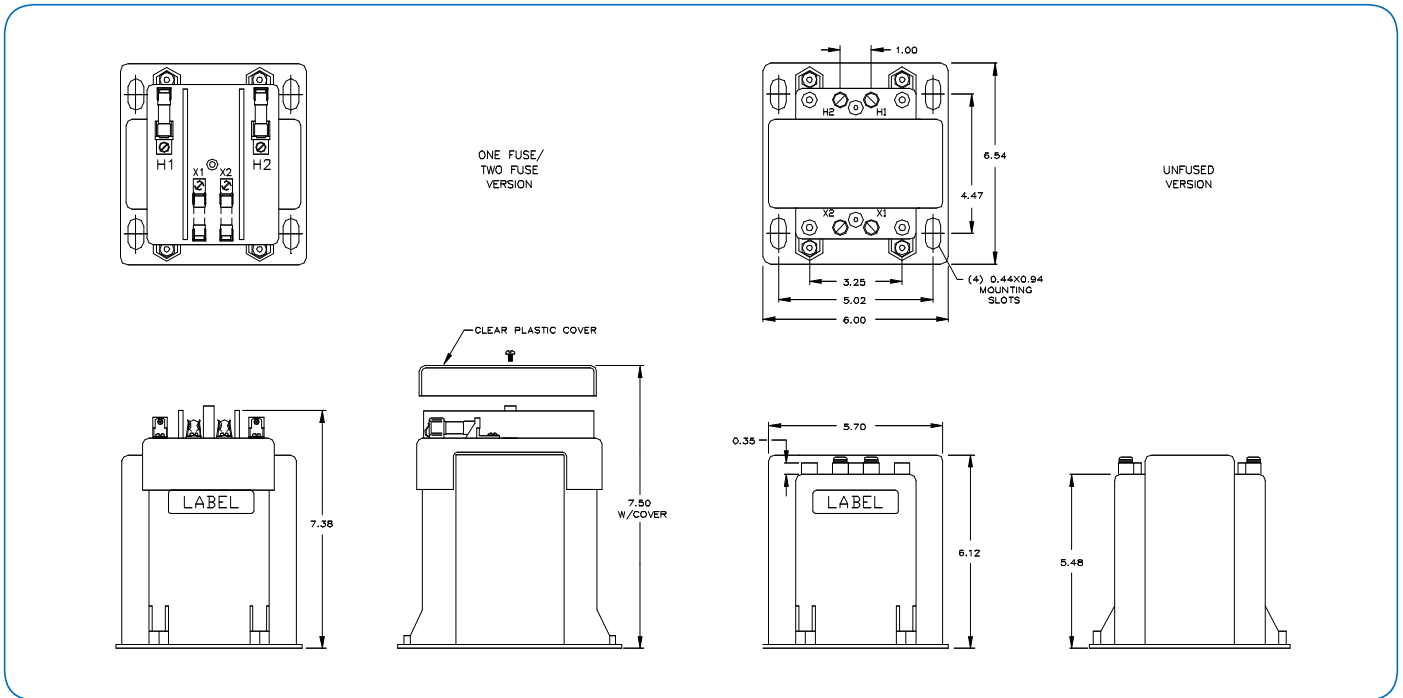
Model JVM-0C

| Circuit Line to Line Voltage | Permissible Transformer Primary Connection | Transformer Rating | | ANSI Accuracy Classification 60 Hz | | Catalog Number | | | Recommended Primary Fuse Rating |
|------------------------------|--|---------------------|---------|---------------------------------------|----------------------------------|----------------|--------------------|-----------------------------|---------------------------------|
| | | Primary Voltage (1) | Ratio | Burden Per ANSI | | Not Fused | Primary Fuses Only | Primary and Secondary Fuses | Amps |
| | | | | Operated at Rated Voltage | Operated at 58% of Rated Voltage | | | | |
| 120 | Y only | 69.3 | 0.578:1 | 0.3 W 0.6 X,M & Y | 0.6 W 1.2 M | 760X133001 | 760X133021 | 760X133041 | 15.0 |
| 120 208 | Δ or Y Y only | 120 | 1:1 | 0.3 W 0.6 X,M & Y | 0.6 W 1.2 M | 760X133002 | 760X133022 | 760X133042 | 10.0 |
| 120 208 | Δ or Y Y only | 120 | 1.732:1 | 0.3 W,X,M,Y 1.2 Z | 0.3 W,X 0.6 M | 760X133003 | 760X133023 | 760X133043 | 10.0 |
| 208 | Δ or Y | 207.8 | 1.732:1 | 0.3 W,X,M,Y 1.2 Z | 0.3 W,X 0.6 M | 760X133004 | 760X133024 | 760X133044 | 8.0 |
| 240 416 | Δ or Y Y only | 240 | 2:1 | 0.3 W,X,M,Y 1.2 Z | 0.3 W,X 0.6 M | 760X133005 | 760X133025 | 760X133045 | 8.0 |
| 480 | Y only | 288 | 2.4:1 | 0.3 W,X,M,Y 1.2 Z | 0.3 W,X 0.6 M | 760X133006 | 760X133026 | 760X133046 | 6.0 |
| 480 | Y only | 300 | 2.5:1 | 0.3 W,X,M,Y 1.2 Z | 0.3 W,X 0.6 M | 760X133007 | 760X133027 | 760X133047 | 6.0 |
| 480 832 | Δ or Y Y only | 480 Ψ | 4:1 | 0.3 W,X,M,Y 1.2 Z | 0.3 W,X 0.6 M | 760X133008 | 760X133028 | 760X133048 | 4.0 |
| 600 1,040 | Δ or Y Y only | 600 Ψ | 5:1 | 0.3 W,X,M,Y 1.2 Z | 0.3 W,X 0.6 M | 760X133009 | 760X133029 | 760X133049 | 3.0 |

Notes: (1) For continuous operation, the transformer's rated primary voltage should not be exceeded by more than 10%. Under emergency conditions, over-voltage must be limited to 1.25 times the transformer primary voltage rating; except those marked Ψ, which must not exceed 110 % rated voltage.



JVM-OC Dimensions



Construction and Insulation

The core and coils are enclosed in a molded case and encapsulated in polyurathane resin. The case is molded with GE Valox thermoplastic polyester resin. This tough material has excellent electrical and mechanical properties over a wide temperature range, has low water absorption and good flame resistance.

Core

The cores are made from high quality grain oriented silicon steel, which is annealed under rigidly controlled factory conditions.

Terminals

Primary and secondary terminals are No. 10-32 brass screws with one flat washer and one lock washer. A sealable, clearplastic, terminal cover is provided.

Polarity

These compression terminals, identified as X1 and X2, are conveniently located on top of the transformer. They are fixed, tin plated, brass posts with holes to accommodate No. 6 to No. 14 wire sizes. The brass screws for securing wires to the posts are tin-plated.

Fuses

Primary fuses are recommended, rated as shown in the data table. A secondary fuse is recommended, type BBS rated at 8.0 Amps to protect the transformer from external short circuits.

Nameplates

The nameplate is a polyester label attached to the side of the transformer case.

Mounting

The transformer can be mounted in any position, the case is provided with four mounting slots in the steel base plate.

Maintenance

These transformers require no maintenance, other than occasional cleaning.

GEGridSolutions.com

Grid-AIS-L4-ITL_Model_JVM_OC-1427-2017_07-EN. © Copyright 2017. General Electric Company and Instrument Transformers LLC reserve the right to change specifications of described products at any time without notice and without obligation to notify any person of such changes.

Worldwide Contact Center

Web: www.GEGridSolutions.com/contact

Phone: +44 (0) 1785 250 070

USA and Canada: +1 (0) 800 547 8629

Europe, Middle East and Africa: +34 (0) 94 485 88 00

