

Model JKS-3

Indoor Current Transformer
5,000 V, BIL 60 kV, 15 A to 800 A, 50/60 Hz

Application

Designed for indoor service; suitable for operating relays and control devices. It has been designed with extra-high mechanical and thermal ratings to adapt it to this application.

Weight - Shipping/Net

(approximate, in pounds)
Single-Secondary36/30 lbs
Dual-Secondary 74/62 lbs
Tapped-Secondary 36/30 lbs



Model JKS-3 Single-Secondary

JKS-3 Product Data

Current Ratio in Amperes; Pri:Sec	ANSI Accuracy Class, 60 Hz			Relay Class	Continuous Thermal- Current Rating Factor		Mechanical Limit, Amperes	1-Sec. Thermal Limit, Amperes		Catalog Number
	Meter Class, Burden				30 °C Ambient	55 °C Ambient		With Secondary Short- Circuited	With Burden B- 0.2 or Greater	
	B-0.1	B-0.5	B-2							
Single-Secondary										
15:5	0.6	1.2	---	T10	1.5	1.0	12,500	1,700	6,400	753X001001
20:5	0.6	1.2	---	T20	1.5	1.0	12,500	2,000	6,400	755X001002
25:5	0.6	1.2	---	T10	1.5	1.0	22,000	2,500	12,800	755X001003
30:5	0.6	1.2	---	T20	1.5	1.0	22,000	3,000	12,800	755X001004
40:5	0.3	0.6	---	T20	1.5	1.0	22,000	4,000	12,800	755X001005
50:5	0.6	1.2	---	T10	1.5	1.0	44,000	5,000	25,200	755X001006
75:5	0.6	1.2	---	T20	1.5	1.0	59,000	7,500	35,300	755X001007
100:5	0.3	0.6	---	T20	1.5	1.0	59,000	10,000	35,300	755X001008
150:5	0.3	0.3	---	T50	1.5	1.0	66,000	15,000	35,300	755X001009
200:5	0.3	0.3	1.2	T50	1.5	1.0	66,000	20,000	35,300	755X001010
300:5	0.3	0.3	1.2	T50	1.5	1.0	77,000	30,000	35,300	753X001012
400:5	0.3	0.3	0.3	T100	1.5	1.0	77,000	35,300	35,300	753X001013
600:5	0.3	0.3	0.3	T100	1.5	1.0	108,000	50,400	50,400	753X001015
800:5	0.3	0.3	1.2	T50	1.5	1.0	280,000	59,200	59,200	753X001016
Tapped-Secondary										
50/100:5	1.2	2.4	---	T10	1.5	1.1	44,000	Refer to Factory for Values		753X001017
	0.3	0.6	---	T20	1.5	1.1	44,000			
75/150:5	0.6	1.2	---	T20	1.5	1.1	59,000			753X001018
	0.3	0.6	---	T50	1.5	1.1	59,000			
100/200:5	0.6	1.2	---	T20	1.5	1.1	59,000			753X001019
	0.3	0.3	1.2	T50	1.5	1.1	59,000			
150/300:5	0.3	0.6	2.4	T20	1.5	1.1	66,000			753X001020
	0.3	0.3	1.2	T50	1.5	1.1	66,000			
200/400:5	0.3	0.6	2.4	T50	1.5	1.1	66,000			753X001021
	0.3	0.3	0.3	T100	1.5	1.1	66,000			
300/600:5	0.3	0.6	2.4	T50	1.5	1.1	77,000			753X001022
	0.3	0.3	0.3	T100	1.5	1.1	77,000			
400/800:5	0.6	1.2	---	T20	1.5	1.1	77,000	753X001023		
	0.3	0.3	1.2	T50	1.5	1.1	77,000			



Reference Drawings

Accuracy Curves:

15:5	5453968001
20:5	5453969001
25:5	5453970001
30:5	5453971001
40:5	5453972001
50:5	5453973001
75:5	5453956001
100:5	5453957001
150:5	5453974001
200:5	5453975001
300:5	5453976001
400:5	5453977001
600:5	5453977001
800:5	5453978001

Excitation Curves:

15:5	Contact Factory
20:5	Contact Factory
25:5	Contact Factory
30:5	Contact Factory
40:5	Contact Factory
50:5	Contact Factory
75:5	9932600124
100:5	9932600018
150:5	9932600018
200:5	9936600018
300:5	9936600018
400:5	9936600018
600:5	9936600018
800:5	9936600018

Outline Drawings:

Single-Secondary Models	8949911
Dual-Secondary Models	8949933
Tapped-Secondary Models	8949806
Wiring Diagram	refer to page 42, figure 4

Construction and Insulation

Please refer to General Product Information, item 1.8.

Core

Please refer to General Product Information, item 2.4.

Coils

Please refer to General Product Information, item 3.6.

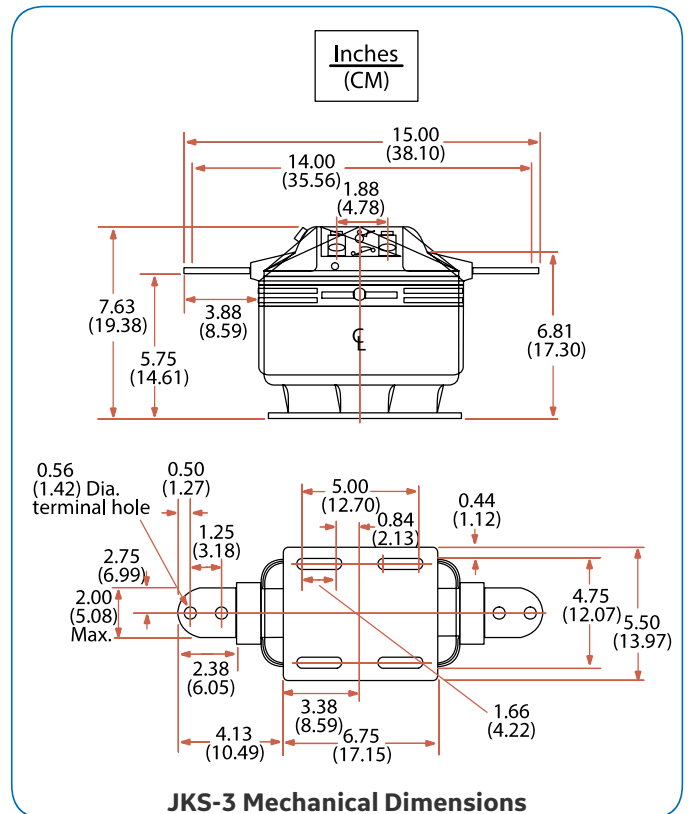
Primary Terminals

Please refer to General Product Information, item 4.3.

Secondary Terminals

Please refer to General Product Information, item 4.13.

JKS-3 Dimensions



Polarity

Please refer to General Product Information, item 7.2.

Baseplate and Mounting

Please refer to General Product Information, item 5.5.

Nameplate

Please refer to General Product Information, item 6.3.

Maintenance

Please refer to General Product Information, item 10.1 and pages 24-27.

GEGridSolutions.com

ITL_Model_JKS_3-Spec-EN-2018-08-Grid-AIS-1465. © Copyright 2018. General Electric Company and Instrument Transformers LLC reserve the right to change specifications of described products at any time without notice and without obligation to notify any person of such changes.

Worldwide Contact Center

Web: www.GEGridSolutions.com/contact

Phone: +44 (0) 1785 250 070

USA and Canada: +1 (0) 800 547 8629

Europe, Middle East and Africa: +34 (0) 94 485 88 00

