

Model JKM-3

Indoor Current Transformer
5 kV, BIL 60 kV, 5 A to 800 A, 50/60 Hz



When choosing your GE Instrument Transformer, don't forget to explore the benefits of using GE's 0.15 accuracy class AccuBute line.

Application

Designed for indoor service; suitable for operating meters, relays, and control devices.

Continuous Thermal Current Rating Factor

30 °C Ambient/55 ° Ambient:
All models except those noted below1.5/1.0
Models 753X040042, 753X040015, and 753X040022 only1.33/1.0



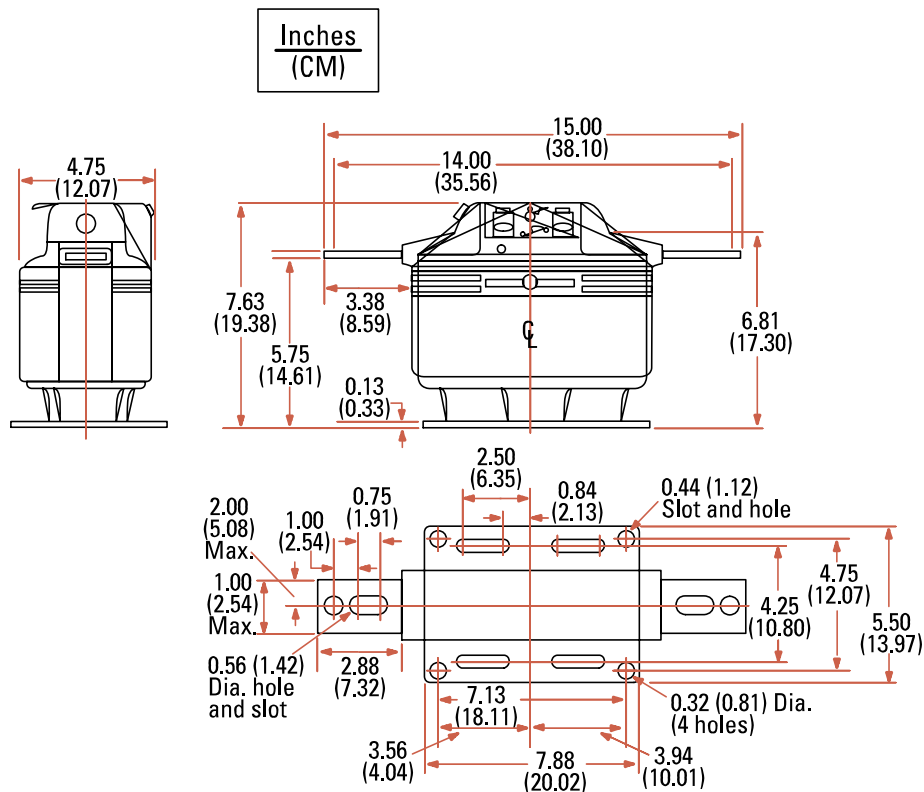
JKM-3 Product Data

Current Ratio in Amperes; Pri:Sec	Continuous-Thermal Current Rating Factor			Mechanical Limit, Amperes	One-Second Thermal Limit, Amperes	Catalog Number
	Meter Class Burden B-0.1, B-0.2 B-0.5	Meter Class Burden B-1, B-2	Relay Class			
Single-Secondary						
5:5	0.3	0.3	T100	900	465	753X040023 ¹
10:5	0.3	0.3	T100	1,800	930	753X040024
15:5	0.3	0.3	T100	2,700	1,470	753X040025
20:5	0.3	0.3	T100	3,600	1,850	753X040026
25:5	0.3	0.3	T100	4,500	2,300	753X040027
30:5	0.3	0.3	T100	5,400	2,450	753X040028
40:5	0.3	0.3	T100	7,200	3,700	753X040029
50:5	0.3	0.3	T100	9,000	4,600	753X040030
75:5	0.3	0.3	T100	13,500	6,400	753X040032
100:5	0.3	0.3	T100	18,000	8,600	753X040033
150:5	0.3	0.3	T100	27,000	12,800	753X040035
200:5	0.3	0.3	T100	36,000	17,300	753X040036
300:5	0.3	0.3	T100	54,000	25,700	753X040038
400:5	0.3	0.3	T100	72,000	36,000	753X040039
600:5	0.3	0.3	T100	108,000	51,500	753X040041
800:5	0.3	0.3	T100	144,000	63,300	753X040042
Tapped-Secondary						
50/100:5	0.3	---	T50	9,000	4,300	753X040016 ¹
	0.3	0.3	T100	9,000	8,600	
75/150:5	0.3	---	T50	13,500	6,400	753X040017 ¹
	0.3	0.3	T100	13,500	12,800	
100/200:5	0.3	---	T50	18,000	8,650	753X040018 ¹
	0.3	0.3	T100	18,000	17,300	
150/300:5	0.3	---	T50	27,000	13,750	753X040019 ¹
	0.3	0.3	T100	27,000	27,500	
200/400:5	0.3	---	T50	36,000	18,000	753X040020 ¹
	0.3	0.3	T100	36,000	36,000	
300/600:5	0.3	---	T50	54,000	25,750	753X040021 ¹
	0.3	0.3	T100	54,000	51,500	
400/800:5	0.3	---	T50	72,000	31,650	753X040022 ¹
	0.3	0.3	T100	72,000	63,300	

1. Measurement Canada Approved: AE-486 or AE-0326



JKM-3 Dimensions



Weight - Shipping/Net

(approximate, in pounds)

Single-Secondary36/30

Dual-Secondary 74/62

Tapped-Secondary 36/30

Reference Drawings

Accuracy Curve 9689241518

Excitation Curve 9932600018

Outline Drawings:

Single-Secondary Models..... 4147858

Dual-Secondary Models 8949933

Tapped-Secondary Models 8949942

Wiring Diagram refer to page 42, figure 4

Construction and Insulation

Please refer to General Product Information, items 1.2 and 1.8.

Core

Please refer to General Product Information, item 2.4.

Primary and Secondary Coils

Please refer to General Product Information, item 3.3.

Primary Terminals

Please refer to General Product Information, item 4.3.

Secondary Terminals

Please refer to General Product Information, item 4.13.

Polarity

Please refer to General Product Information, item 7.2.

Baseplate and Mounting

Please refer to General Product Information, item 5.5.

Nameplate

Please refer to General Product Information, item 6.3.

Maintenance

Please refer to General Product Information, item 10.1 and pages 24-27.

GEGridSolutions.com

ITI-Model-JKM-3-Spec-EN-2018-08-Grid-AIS-1460. © Copyright 2018. General Electric Company and Instrument Transformers LLC reserve the right to change specifications of described products at any time without notice and without obligation to notify any person of such changes.

Worldwide Contact Center

Web: www.GEGridSolutions.com/contact

Phone: +44 (0) 1785 250 070

USA and Canada: +1 (0) 800 547 8629

Europe, Middle East and Africa: +34 (0) 94 485 88 00

