

Model JAD-AC 600V

**High Accuracy Indoor/Outdoor Current Transformer
10 kV BIL, 800-4000 A Window Diameter 5.75"**

Application

Designed for both indoor and outdoor service. Suitable for operating meters, instruments and control devices. For use on higher voltage circuits with an insulated primary conductor, please refer to the Applications Information section of catalog GEP-9186.



Regulatory Agency Approvals

UL RecognizedFile E93779

Weight (Approximate)

Transformer, Window Type13 lbs
Transformer, Primary-Bar Type.....17 lbs
Mounting Base, add2 lbs

Insulation level

0.6 kV; BIL 10 kV full wave

Reference Drawings

Single Ratio Outline 0121C34994
Dual Ratio Outline 0121C35099
Bar Assembly 11 7/8"
1 Bar 0821C35021-1
2 Bar 0821C35021-2
3 Bar 0821C35021-3
4 Bar 0821C35021-4
Bar Assembly 14 1/2"
1 Bar 0821C35021-7
2 Bar 0821C35021-8
3 Bar 0821C35021-9
4 Bar 0821C35021-10
Base Assembly 0221A36647
Flushmount Bracket Kit 0221A38343

Frequency

50-60 Hz

JAD-AC DATA TABLE - Window Type

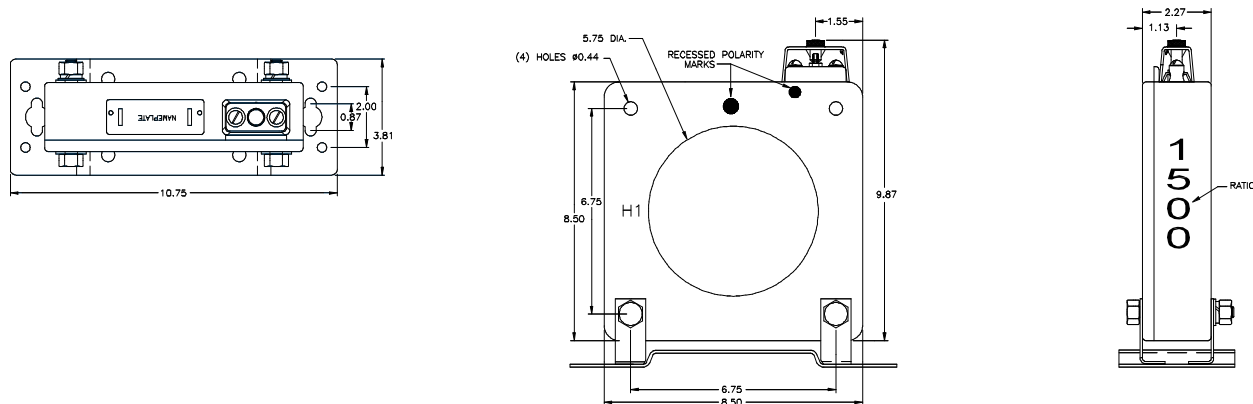
Current Ratio (Amps) Pri : Sec	ANSI Accuracy Class, 60 Hz Burden Per ANSI					Continuous Thermal Current Rating Factor		Catalog Number Without Mounting Base	Catalog Number Stainless Steel Base Assembled
	B0.1	B0.2	B0.5	E0.04	E0.2	@ 30 C Amb.	@ 55 C Amb.		
800:5	0.15	0.3	0.3	--	--	3.0	2.0	750X120700	750X120708
1,000:5	0.15	0.15	0.3	0.15	--	2.0	1.5	750X120701	750X120709
1,200:5	0.15	0.15	0.3	0.15	0.15	2.0	1.5	750X120702	750X120710
1,500:5	0.15	0.15	0.15	0.15	0.15	2.0	1.5	750X120703	750X120713
2,000:5	0.15	0.15	0.15	0.15	0.15	2.0	1.5	750X120704	750X120717
2,500:5	0.15	0.15	0.15	0.15	0.15	1.5	1.0	750X120705	750X120718
3,000:5	0.15	0.15	0.15	0.15	0.15	1.5	1.0	750X120706	750X120719
4,000:5	0.15	0.15	0.15	0.15	0.15	1.5	1.0	750X120707	750X120720

JAD-AC DATA TABLE - Primary-Bar Type

Current Ratio (Amps) Pri : Sec	ANSI Accuracy Class, 60 Hz Burden Per ANSI					Continuous Thermal Current Rating Factor		Number of Primary Bars	Catalog Number Without Mounting Base		Catalog Number Stainless Steel Base Assembled	
	B0.1	B0.2	B0.5	E0.04	E0.2	@ 30 C Amb.	@ 55 C Amb.		11 7/8" Bar	14 1/2" Bar	11 7/8" Bar	14 1/2" Bar
800:5	0.15	0.3	0.3	--	--	2.0	1.5	1	750X120721	750X120748	750X120834	750X120841
1,000:5	0.15	0.15	0.3	0.15	--	2.0	1.5	1	750X120722	750X120749	750X120835	750X120842
1,200:5	0.15	0.15	0.3	0.15	0.15	1.5	1.0	1	750X120723	750X120811	750X120836	750X120843
1,500:5	0.15	0.15	0.15	0.15	0.15	1.5	1.0	1	750X120724	750X120812	750X120837	750X120844
2,000:5	0.15	0.15	0.15	0.15	0.15	1.5	1.0	2	750X120725	750X120817	750X120838	750X120845
3,000:5	0.15	0.15	0.15	0.15	0.15	1.3	1.0	3	750X120736	750X120832	750X120839	750X120846
4,000:5	0.15	0.15	0.15	0.15	0.15	1.2	0.8	4	750X120738	750X120833	750X120840	750X120847



JAD-AC Dimensions



Construction and Insulation

The core and coil assembly is encapsulated in resin within a molded case. The case is molded with GE Valox thermo- plastic polyester resin. This tough material has excellent electrical and mechanical properties over a wide temperature range, has low water absorption and is resistant to oil and a variety of chemicals. The polyurethane resin filling completely encapsulates the winding, leads and terminals to form a waterproof unit.

Core and Coils

The core is made from high quality grain oriented silicon steel, annealed under rigidly controlled factory conditions. The secondary windings are evenly distributed around the core for maximum accuracy and resistance to stray fields from adjacent conductors.

Terminals

Secondary terminals are tin plated brass, compression type with a 0.275" diameter cross-hole for wiring and a 1/4-28 clamp screw. A shorting device is provided and interlocked to the terminal cover. The terminal cover is made of a clear plastic. Provision is made for sealing the cover.

Conduit Attachment

A secondary conduit box, in place of the secondary terminal block, is available. It is suitable for outdoor applications. Box and cover are made of aluminum with a black finish. The cover has a gasket and four sealable thumbscrews. Two boxes are required for dual ratio transformers.

Polarity

Primary and secondary marks H1 and X1 are molded into the case.

Primary Conductor

Removable primary bars are formed from 1/4" X 4" tin-plated, flat copper bar, with 1/4" spacing between bars on multiple bar assemblies. The bars are retained by insulated and ventilated end caps, which permit the bars to be rotated to any desired orientation and allow the transformer to be supported in a vertical orientation arrangement. A potential connector is provided adjacent to one end cap. Primary bars are available in 11 7/8" and 14 1/4" lengths, each provided with four bolt holes at each end.

Nameplates

The nameplate is laser engraved aluminum. It is attached to the top of the unit and has provisions for attaching the user's identifying tag. The nominal current rating is marked on the side of the unit in large numerals.

Baseplate and Mounting

The transformer can be mounted in any position. An optional baseplate is available, made of stainless steel plate. It is attached to the transformer with two bolts.

Maintenance

These transformers require no maintenance, other than occasional cleaning if installed where air contamination is severe.

GEGridSolutions.com

Grid-AIS-L4-ITL_Model_JAD_AC-1386-2017_07-EN. General Electric Company and Instrument Transformers LLC reserve the right to change specifications of described products at any time without notice and without obligation to notify any person of such changes.

Worldwide Contact Center

Web: www.GEGridSolutions.com/contact

Phone: +44 (0) 1785 250 070

USA and Canada: +1 (0) 800 547 8629

Europe, Middle East and Africa: +34 (0) 94 485 88 00

