

# GE Grid Solutions

## Model 625

### Current Transformer Window Diameter 6.50"

#### Application

Relaying and metering.

#### Frequency

50-400 Hz.

#### Insulation Level

600 Volts, 10 kV BIL full wave.

#### Continuous Thermal Current Rating Factor

50:5-2500:5: 1.33 at 30°C. amb., 1.0 at 55°C. amb.

3000-4000:5: 1.0 at 30°C. amb., 0.7 at 55°C. amb.

5000:5: 0.8 at 30°C. amb., 0.6 at 55°C. amb.

Secondary terminals are brass screws No. 10-32 with one flatwasher, lockwasher, accessible from either side.

Multi-ratios available on request.  
Consult Factory

Approximate weight 51 lbs



REGULATORY AGENCY APPROVALS



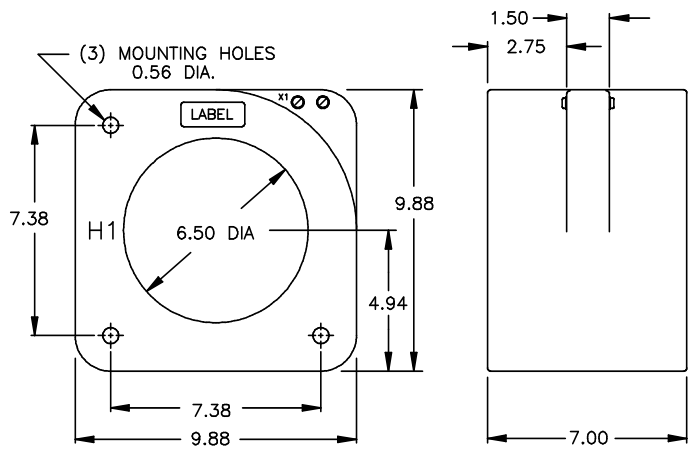
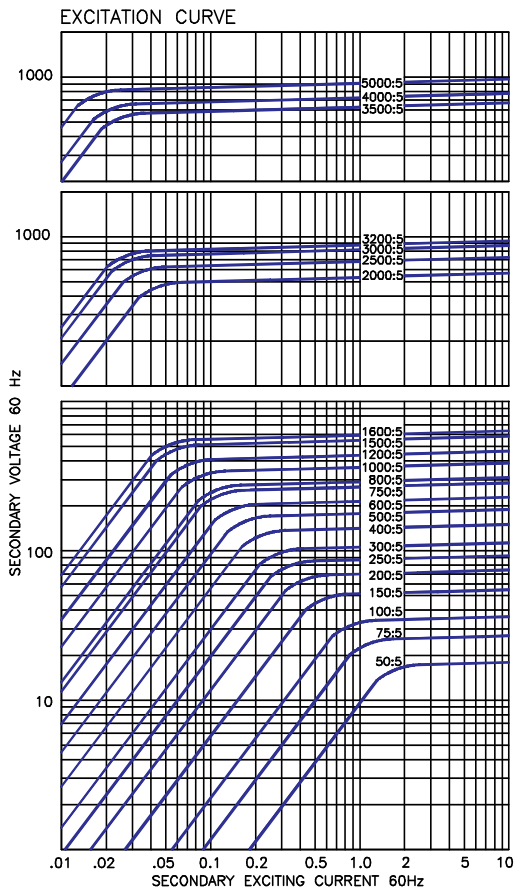
Manufactured to meet the requirements of ANSI/IEEE C57.13.  
Classified by U.L. in accordance with IEC 44-1

#### Model 625

Catalog Number	Current Ratio	Relay Class	ANSI Metering Class at 60 HZ					Secondary Winding Resistance (Ω @ 75°C)
			B0.1	B0.2	B0.5	B0.9	B1.8	
625-500	50:5	C10	4.8	4.8	—	—	—	0.029
625-750	75:5	C20	2.4	2.4	4.8	—	—	0.044
625-101	100:5	C20	1.2	2.4	4.8	4.8	—	0.058
625-151	150:5	C50	0.6	1.2	2.4	2.4	4.8	0.090
625-201	200:5	C50	0.3	0.6	1.2	1.2	2.4	0.119
625-251	250:5	C50	0.3	0.3	0.6	1.2	1.2	0.149
625-301	300:5	C100	0.3	0.3	0.6	0.6	2.4	0.179
625-401	400:5	C100	0.3	0.3	0.3	0.6	0.6	0.239
625-501	500:5	C100	0.3	0.3	0.3	0.3	0.6	0.299
625-601	600:5	C200	0.3	0.3	0.3	0.3	0.6	0.358
625-751	750:5	C200	0.3	0.3	0.3	0.3	0.3	0.448
625-801	800:5	C200	0.3	0.3	0.3	0.3	0.3	0.478
625-102	1000:5	C200	0.3	0.3	0.3	0.3	0.3	0.597
625-122	1200:5	C400	0.3	0.3	0.3	0.3	0.3	0.717
625-152	1500:5	C400	0.3	0.3	0.3	0.3	0.3	1.128
625-162	1600:5	C400	0.3	0.3	0.3	0.3	0.3	1.203
625-202	2000:5	C400	0.3	0.3	0.3	0.3	0.3	1.144
625-252	2500:5	C400	0.3	0.3	0.3	0.3	0.3	1.429
625-302	3000:5	C400	0.3	0.3	0.3	0.3	0.3	1.715
625-322	3200:5	C400	0.3	0.3	0.3	0.3	0.3	2.3
625-352	3500:5	C400	0.3	0.3	0.3	0.3	0.3	1.912
625-402	4000:5	C400	0.3	0.3	0.3	0.3	0.3	2.185
625-502	5000:5	C400	0.3	0.3	0.3	0.3	0.3	3.428



# Model 625



## GEGridSolutions.com

ITL\_Model\_625-Spec-EN-2020\_02-Grid-PQP-1356. © Copyright 2020. General Electric Company and Instrument Transformers LLC reserve the right to change specifications of described products at any time without notice and without obligation to notify any person of such changes.

### Worldwide Contact Center

Web: [www.GEGridSolutions.com/contact](http://www.GEGridSolutions.com/contact)

Phone: +44 (0) 1785 250 070

USA and Canada: +1 (0) 800 547 8629

Europe, Middle East and Africa: +34 (0) 94 485 88 00

