

Model JVW-5C

Outdoor Voltage Transformer
110 kV BIL, 15 kV NSV

Application

Designed for outdoor service; suitable for operating meters, instruments, relays, and control devices.

Thermal Rating

1,500 VA @ 30 °C Ambient

Dimensions/Weight

Height: 16.34"

Depth: 13.60"

Width: 11.50"

Weight (Approximate).....80 lbs

Insulation Level

15.5 kV Maximum System Voltage;
110 kV BIL per IEEE C57.13

Frequency

60 Hz



General Information

The JVW-5C is manufactured in GE's Clearwater, FL. plant utilizing state of the art Automated Pressure Gelation (APG) processes and Hydrophobic Cycloaliphatic Epoxy (HCEP). Insulation levels meet or exceed those specified in IEEE C57.13 and CSA CAN3-C13.

Dimensions meet IEEE C12.11. Every model has been thoroughly design tested to withstand repeated thermal shock and a modified salt fog test per IEEE standard 4. Exclusive designs, HCEP epoxy, and APG processes are combined to create a superior product. Benefits of HCEP over CEP include lower leakage currents, lower flashover probability, less discharge activity, less erosion from ultra violet (UV) radiation, enhanced thermal cycle resistance, and ultimately better reliability and improved life expectancy.

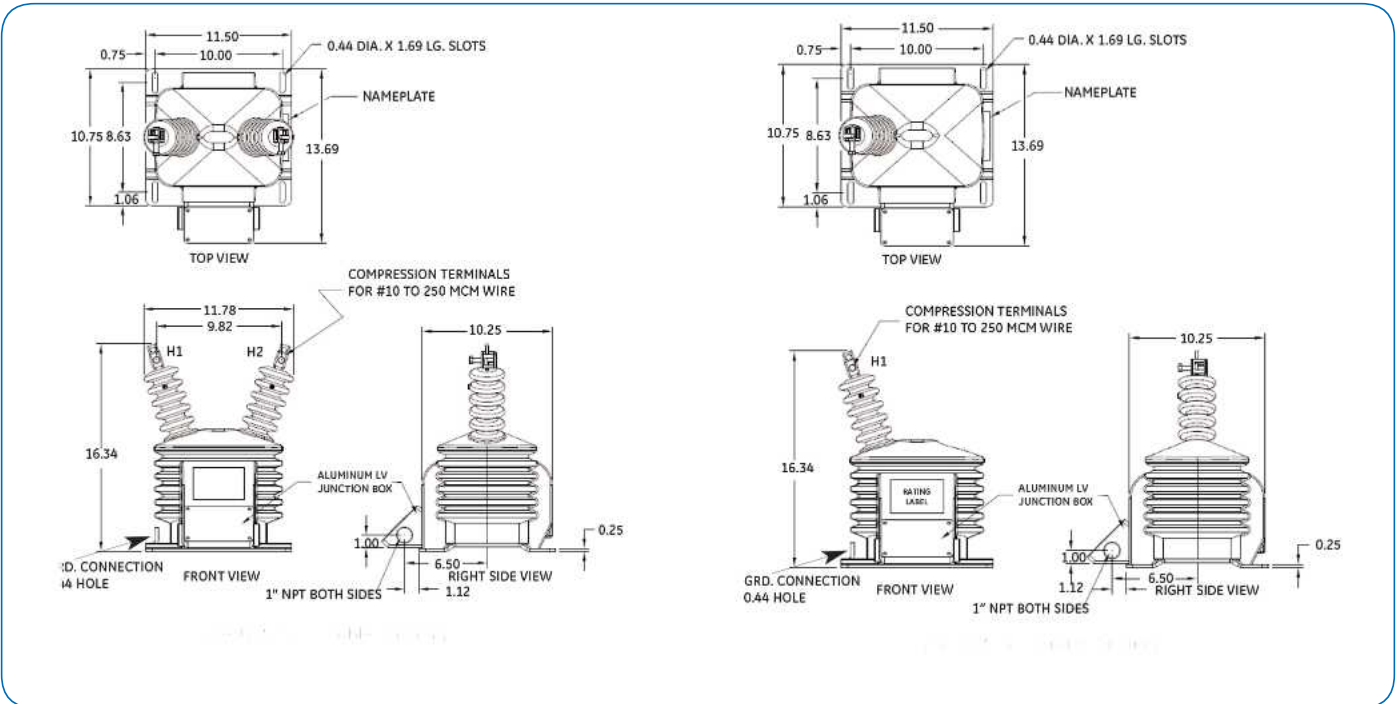
JVW-5C

Rated Primary Voltage	Ratio	IEEE Metering Accuracy	Rated Voltage Factor	Thermal Rating (VA @ 30 °C. amb)	Catalog Number
Single Bushing					
7,200/12,470GY	60:1	0.3 Z, 0.6 ZZ	1.1	1,500	765C130101
7,620/13,200GY	63.5:1	0.3 Z, 0.6 ZZ	1.1	1,500	765C130102
8,400/14,560GY	70:1	0.3 Z, 0.6 ZZ	1.1	1,500	765C130103
12,000/12,000Y	100:1	0.3 Z, 0.6 ZZ	1.1	1,500	765C130104
13,200/13,200Y	110:1	0.3 Z, 0.6 ZZ	1.1	1,500	765C130105
14,400/14,400Y	120:1	0.3 Z, 0.6 ZZ	1.1	1,500	765C130106
Double Bushing					
7,200/12,470GY	60:1	0.3 Z, 0.6 ZZ	1.1	1,500	765C130201
7,620/13,200Y	63.5:1	0.3 Z, 0.6 ZZ	1.1	1,500	765C130202
8,400/14,560Y	70:1	0.3 Z, 0.6 ZZ	1.1	1,500	765C130203
12,000/12,000Y	100:1	0.3 Z, 0.6 ZZ	1.1	1,500	765C130204
13,200/13,200Y	110:1	0.3 Z, 0.6 ZZ	1.1	1,500	765C130205
14,400/14,400Y	120:1	0.3 Z, 0.6 ZZ	1.1	1,500	765C130206



Type JVW-5C Double Bushing

Type JVW-5C Single Bushing



General Construction

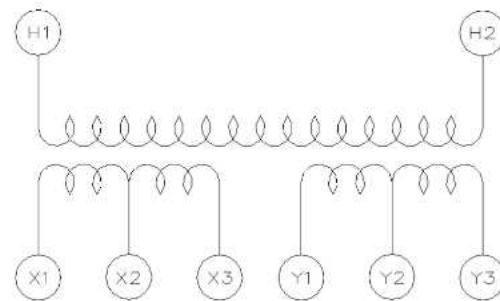
- Insulation - Hydrophobic Cycloaliphatic Epoxy (HCEP)
- Baseplate - Heavy gage marine grade aluminum
- Conduit box - Cast aluminum, removable, 1" threaded hubs
- Nameplate - Anodized aluminum
- Mounting - Horizontal, Vertical, Inverted

HCEP Resin Features

- Ideal for outdoor applications
- Excellent water repellent characteristics
- High mechanical properties
- Excellent dielectric properties - stable in outdoor humid conditions
- Enhanced thermal cycle resistance
- High resistance to erosion from ultra violet (UV) radiation
- High tracking and arc resistance
- Extended service life

Connection Diagram

Available in multiple configurations up to and including: Double ratio with tap on the secondary winding



GEGridSolutions.com

ITI-Model-JVW-5C-Spec-EN-2019-10-Grid-PQP-1522. © Copyright 2019. General Electric Company and Instrument Transformers LLC reserve the right to change specifications of described products at any time without notice and without obligation to notify any person of such changes.

Worldwide Contact Center

Web: www.GEGridSolutions.com/contact

Phone: +44 (0) 1785 250 070

USA and Canada: +1 (0) 800 547 8629

Europe, Middle East and Africa: +34 (0) 94 485 88 00

