

# Model CTWH5-A-110-T150

## Wound Primary Current Transformer Medium Voltage

### Application

High accuracy metering and relaying.

### Frequency

50-400 Hz

### Maximum System Voltage

15.5 kV, BIL 110 kV.

### Continuous Thermal Current Rating Factor

1.33 at 30 °C., 1.0 at 55 °C.

### Specifications

Primary terminals are 1/2-13 bolts with one Belleville washer. Secondary terminals are brass screws No. 10-32 with one flatwasher, lockwasher.

Vacuum cast in polyurethane resin.  
Other ratios, secondary currents and dual ratios are available. Refer to factory.

Approximate weight 76 lbs



#### REGULATORY AGENCY APPROVALS



E145172



LR89403

Manufactured to meet the requirements of ANSI/IEEE C57.13.

## Model CTWH5-A-110-T150

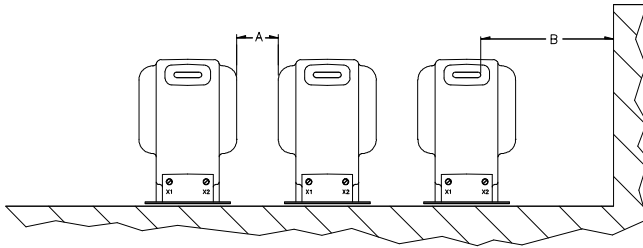
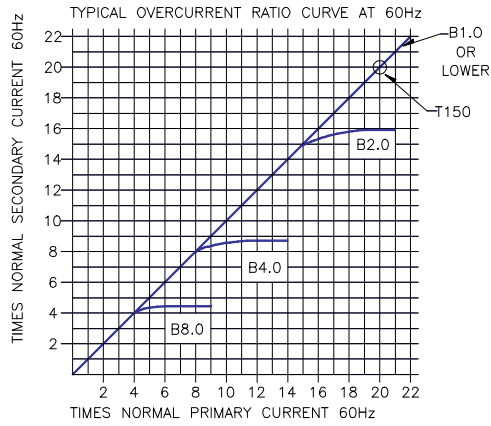
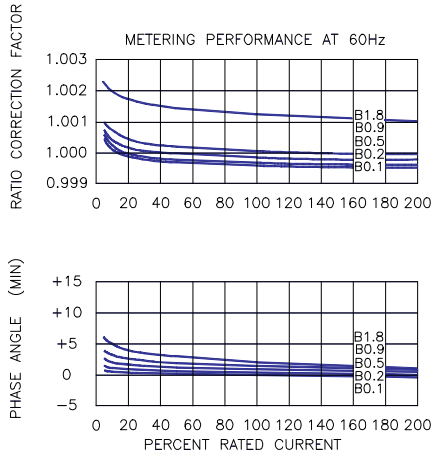
Catalog Number**	Current Ratio	Relay Class	ANSI Metering Class at 60 Hz					** Thermal Current Rating 1 Second RMS Amps
			B0.1	B0.2	B0.5	B0.9	B1.8	
CTWH5-A-110-T150-050	5:5	T150	0.1	0.1	0.1	0.1	0.2	470
CTWH5-A-110-T150-100	10:5	T150	0.1	0.1	0.1	0.1	0.2	950
CTWH5-A-110-T150-150	15:5	T150	0.1	0.1	0.1	0.1	0.2	1,440
CTWH5-A-110-T150-200	20:5	T150	0.1	0.1	0.1	0.1	0.2	1,840
CTWH5-A-110-T150-250	25:5	T150	0.1	0.1	0.1	0.1	0.2	2,670
CTWH5-A-110-T150-300	30:5	T150	0.1	0.1	0.1	0.1	0.2	2,920
CTWH5-A-110-T150-400	40:5	T150	0.1	0.1	0.1	0.1	0.2	3,700
CTWH5-A-110-T150-500	50:5	T150	0.1	0.1	0.1	0.1	0.2	4,700
CTWH5-A-110-T150-750	75:5	T150	0.1	0.1	0.1	0.1	0.2	7,575
CTWH5-A-110-T150-101	100:5	T150	0.1	0.1	0.1	0.1	0.2	12,940
CTWH5-A-110-T150-151	150:5	T150	0.1	0.1	0.1	0.1	0.2	14,375
CTWH5-A-110-T150-201	200:5	T150	0.1	0.1	0.1	0.1	0.2	25,875
CTWH5-A-110-T150-301	300:5	T150	0.1	0.1	0.1	0.1	0.2	27,520
CTWH5-A-110-T150-401	400:5	T150	0.1	0.1	0.1	0.1	0.2	40,350
CTWH5-A-110-T150-601	600:5	T150	0.1	0.1	0.1	0.1	0.2	66,225

\*With a burden of 0.35 Ohms or greater connected to the secondary.

\*\*A test card is provided with each unit.



# Model CTWH5-A-110-T150 Wound Primary CT



## RECOMMENDED MINIMUM SPACINGS

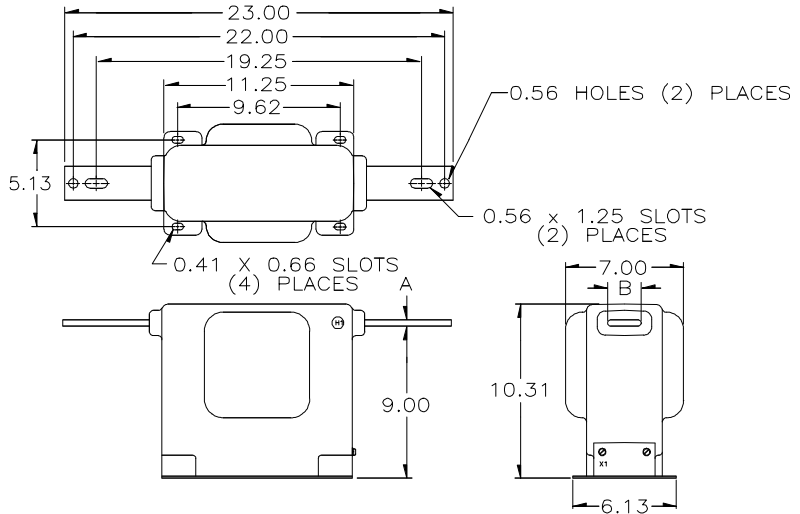
**A** = Unit to Unit = 1.50" minimum.

**B** = HV to Ground in Air = 6.50" minimum.

Recommended spacing are for guidance only. User needs to set appropriate values to assure performance for high potential test, impulse test, high humidity, partial discharge, high altitude, and other considerations like configuration.

## Bar Sizes

Primary Current	Dimensions	
	A	B
5 to 200 A	0.25	1.50
300 to 600 A	0.38	2.00



## GEGridSolutions.com

Grid-AIS-L4-ITL\_Model\_CTWH5AT150-1439-2017\_07-EN. © Copyright 2017. General Electric Company and Instrument Transformers LLC reserve the right to change specifications of described products at any time without notice and without obligation to notify any person of such changes.

## Worldwide Contact Center

Web: [www.GEGridSolutions.com/contact](http://www.GEGridSolutions.com/contact)

Phone: +44 (0) 1785 250 070

USA and Canada: +1 (0) 800 547 8629

Europe, Middle East and Africa: +34 (0) 94 485 88 00

