

Model CTO

Medium Voltage Current Transformer Window Diameter 7.00"

Application

Metering and relaying.

Frequency

50-400 Hz

Maximum System Voltage

For 15 kV and below applications.

Continuous Thermal Rating Factor

Up to 1,500:5 ratio
1.50 at 30 °C., 1.00 at 55 °C.

2,000:5 to 3,000:5 ratios
1.33 at 30°C. amb., 1.00 at 55 °C.

4,000:5 ratio
1.00 at 30 °C. amb., 0.75 at 55 °C.



Specifications

Secondary terminals are brass screws No. 10-32 with one flatwasher and lockwasher.

Vacuum cast polyurethane resin.

Steel mounting base.

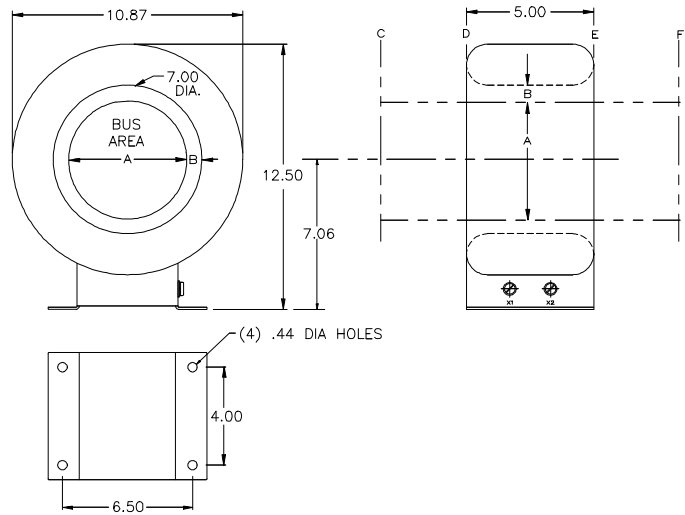
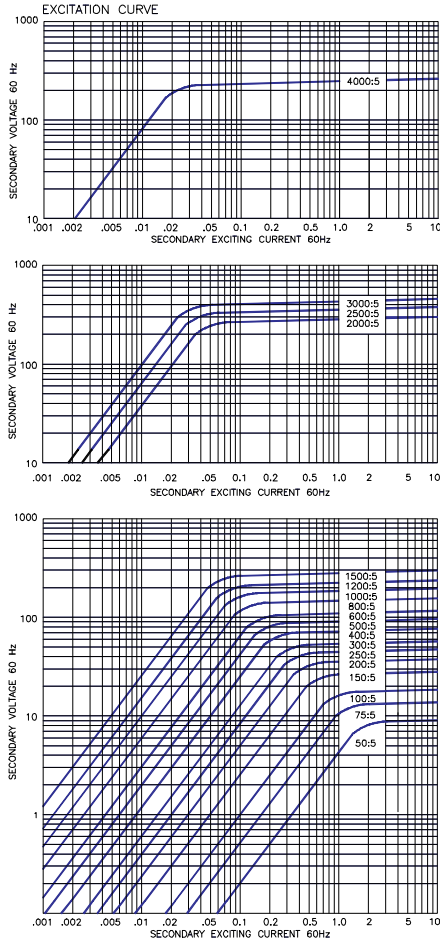
Approximate weight 55 lbs.

Model CTO

Catalog Number	Current Ratio	Relay Class	Metering Class at 60 Hz						
			B0.1	B0.2	B0.5	B0.9	B1.8	B1.0	B2.0
CTO-500	50:5	-	4.8	-	-	-	-	-	-
CTO-750	75:5	C10	2.4	2.4	-	-	-	-	-
CTO-101	100:5	C10	1.2	1.2	4.8	-	-	-	-
CTO-151	150:5	C20	0.6	1.2	2.4	4.8	4.8	4.8	4.8
CTO-201	200:5	C20	0.6	0.6	1.2	2.4	4.8	2.4	4.8
CTO-251	250:5	C20	0.3	0.6	1.2	1.2	2.4	1.2	2.4
CTO-301	300:5	C20	0.3	0.3	0.6	1.2	2.4	1.2	2.4
CTO-401	400:5	C50	0.3	0.3	0.6	0.6	1.2	0.6	1.2
CTO-501	500:5	C50	0.3	0.3	0.3	0.6	0.6	0.6	0.6
CTO-601	600:5	C100	0.3	0.3	0.3	0.3	0.6	0.3	0.6
CTO-801	800:5	C100	0.3	0.3	0.3	0.3	0.3	0.3	0.3
CTO-102	1,000:5	C100	0.3	0.3	0.3	0.3	0.3	0.3	0.3
CTO-122	1,200:5	C100	0.3	0.3	0.3	0.3	0.3	0.3	0.3
CTO-152	1,500:5	C200	0.3	0.3	0.3	0.3	0.3	0.3	0.3
CTO-202	2,000:5	C200	0.3	0.3	0.3	0.3	0.3	0.3	0.3
CTO-252	2,500:5	C200	0.3	0.3	0.3	0.3	0.3	0.3	0.3
CTO-302	3,000:5	C200	0.3	0.3	0.3	0.3	0.3	0.3	0.3
CTO-402	4,000:5	C100	0.3	0.3	0.3	0.3	0.3	0.3	0.3



Model CTO



Model CTO

The following applies ONLY after proper installation of bus bar.

CLASS	BIL	HI POT	A dia	B min.	C-D	E-F	G min
5 kV	60 kV	19 kV	5.75"	0.62"	4.0"	4.0"	0.060
8.7 kV	75 kV	26 kV	5.5"	0.75"	5.0"	5.0"	0.100
15 kV	95 kV	36 kV	5.0"	1.0"	5.5"	5.5"	0.100
15 kV	110 kV	36 kV	5.0"	1.0"	5.5"	5.5"	0.100
15 kV	110 kV	36 kV	4.0"	1.5"	7.0"	7.0"	0.100

By itself the CT is rated 600 Volt class, 10 kV BIL. With suitable spacing and insulated bus, a higher voltage class, and impulse level can be achieved, including 5 kV, 60 kV BIL and 15 kV, 110 kV BIL.

No sharp object should occur close to zones C-D and E-F. Only full radius edge bus bar is recommended. Zone A can accommodate (1) 1/2x 5 bus bar, or multiples of 1/2x4 with 1/2" spacing to suit. Other sizes like 1/4" and 3/8 can also be used.

The bus bar (s) must be effectively held within zone A, Providing minimum spacing B all around. No bends or joints can occur in zones C-D and E-F. Bus bar coverage of suitable resin of thickness G, must be continuous from at least C to F with no breaks, pin holes or weak spots. CT's can be installed in tandem, with 1/2" spacing and observe zones C-D and F-F at either end.

GEGridSolutions.com

Grid-AIS-L4-ITL_Model_CTO-1429-2017_06-EN. © Copyright 2017. General Electric Company and Instrument Transformers LLC reserve the right to change specifications of described products at any time without notice and without obligation to notify any person of such changes.

Worldwide Contact Center

Web: www.GEGridSolutions.com/contact

Phone: +44 (0) 1785 250 070

USA and Canada: +1 (0) 800 547 8629

Europe, Middle East and Africa: +34 (0) 94 485 88 00

