

Model JKW-5C

Outdoor Current Transformer
110 kV BIL, 15 kV NSV, 5 to 1,200 A

Application

Designed for outdoor service; suitable for operating meters, instruments, relays and control devices.

Insulation Level

15.5 kV Maximum System Voltage;
110 kV BIL per IEEE C57.13

Dimensions/Weight

Height: 14.55"
Depth: 12.37"
Width: 10.88"
Weight (Approximate): 66 lbs

Frequency

60 Hz



General Information

The JKW-5C is manufactured in GE's Clearwater, FL. plant utilizing state of the art Automated Pressure Gelation (APG) processes and Hydrophobic Cycloaliphatic Epoxy (HCEP). Insulation levels meet or exceed those specified in IEEE C57.13 and CSA CAN3-C13.

Dimensions meet IEEE C12.11. Exclusive designs, HCEP epoxy, and APG processes are combined to create a superior product. Benefits of HCEP over CEP include lower leakage currents, lower flashover probability, less discharge activity, less erosion from ultra violet (UV) radiation, enhanced thermal cycle resistance, and ultimately better reliability and improved life expectancy.

Model JKW-5C

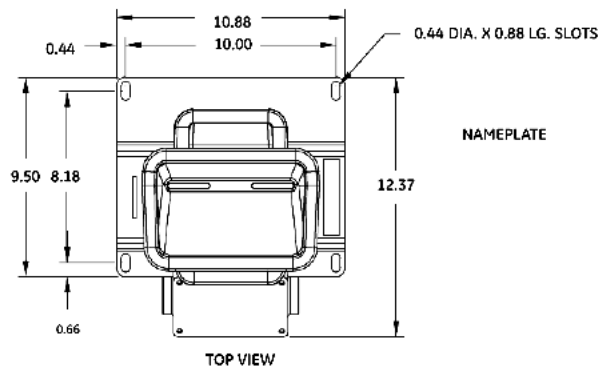
Catalog Number	Current Ratio	Relay Class 60 Hz	Metering Class 60 Hz	Rating Factor
Single Ratio Type JKW-5C 15 kV, 110 kV BIL				
755C150001	5:5	C200	0.3 B-1.8	1.5
755C150002	10:5	C200	0.3 B-1.8	1.5
755C150003	15:5	C200	0.3 B-1.8	1.5
755C150004	20:5	C200	0.3 B-1.8	1.5
755C150005	25:5	C200	0.3 B-1.8	1.5
755C150006	30:5	C200	0.3 B-1.8	1.5
755C150007	40:5	C200	0.3 B-1.8	1.5
755C150008	50:5	C200	0.3 B-1.8	1.5
755C150009	75:5	C200	0.3 B-1.8	1.5
755C150010	100:5	C200	0.3 B-1.8	1.5
755C150011	150:5	C200	0.3 B-1.8	1.5
755C150012	200:5	C200	0.3 B-1.8	1.5
755C150013	300:5	C200	0.3 B-1.8	1.5
755C150014	400:5	C200	0.3 B-1.8	1.5
755C150015	600:5	C200	0.3 B-1.8	1.5
755C150016	800:5	C200	0.3 B-1.8	1.33
755C150017	1,000:5	C150	0.3 B-1.8	1.33
755C150018	1,200:5	C200	0.3 B-1.8	1.1

Model JKW-5C

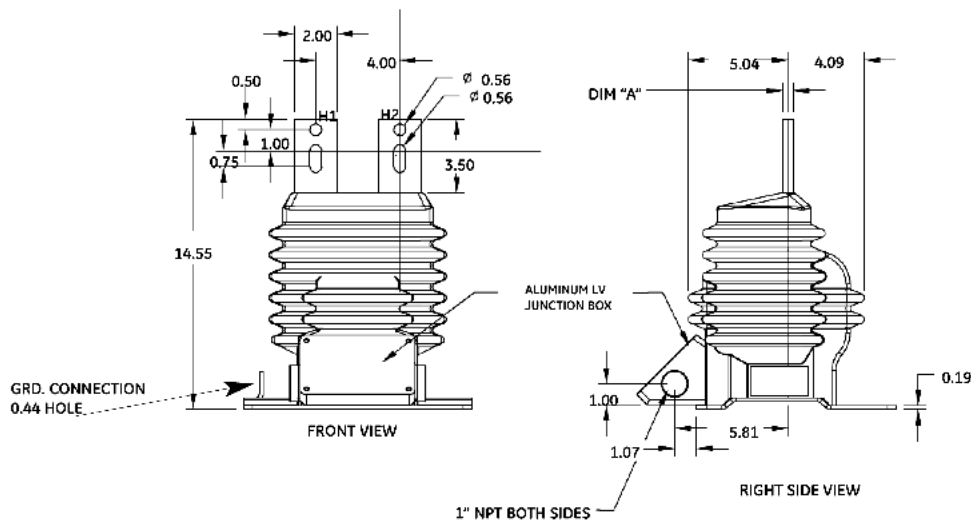
Catalog Number	Current Ratio	Relay Class 60 Hz	Metering Class 60 Hz	Rating Factor
Dual Ratio Type JKW-5C 15 kV, 110 kV BIL				
755C150202	5/10:5	C100 / C200	0.3 B-0.9 0.3 B-1.8	2.0/1.5
755C150204	10/20:5	C100 / C200	0.3 B-0.9 0.3 B-1.8	2.0/1.5
755C150207	20/40:5	C100 / C200	0.3 B-0.9 0.3 B-1.8	2.0/1.5
755C150208	25/50:5	C100 / C200	0.3 B-0.9 0.3 B-1.8	2.0/1.5
755C150211	75/150:5	C100 / C200	0.3 B-0.9 0.3 B-1.8	2.0/1.5
755C150212	100/200:5	C100 / C200	0.3 B-0.9 0.3 B-1.8	2.0/1.5
755C150213	150/300:5	C100 / C200	0.3 B-0.9 0.3 B-1.8	2.0/1.5
755C150214	200/400:5	C100 / C200	0.3 B-0.9 0.3 B-1.8	2.0/1.5
755C150215	300/600:5	C100 / C200	0.3 B-0.9 0.3 B-1.8	2.0/1.5
755C150216	400/800:5	C100 / C200	0.3 B-0.9 0.3 B-1.8	2.0/1.33
755C150218	600/1,200:5	C100 / C200	0.3 B-0.9 0.3 B-1.8	2.0/1.1



Model JKW-5C



RATIO	DIM. "A"
5:5 - 500:5A	0.25
600:5 - 1200:5A	0.50



General Construction

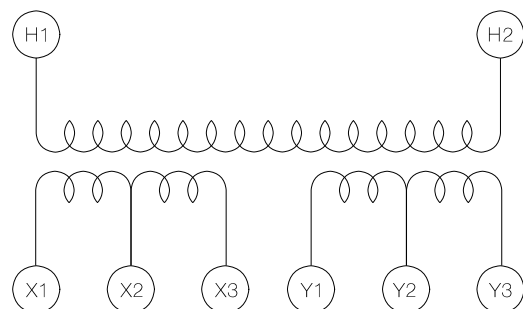
- Insulation - Hydrophobic Cycloaliphatic Epoxy (HCEP)
- Baseplate - Heavy gage marine grade aluminum
- Conduit box - Cast aluminum, removable, 1" threaded hubs
- Nameplate - Anodized aluminum
- Mounting - Horizontal, Vertical, Inverted

HCEP Resin Features

- Ideal for outdoor applications
- Excellent water repellent characteristics
- High mechanical properties
- Excellent dielectric properties - stable in outdoor humid conditions
- Enhanced thermal cycle resistance
- High resistance to erosion from ultra violet (UV) radiation
- High tracking and arc resistance
- Extended service life

Connection Diagram

Available in multiple configurations up to and including: Double ratio with tap on the secondary winding



GEGridSolutions.com

ITI-Model-JKW-5C-Spec-EN-2020.08-Grid-AIS-1477. © Copyright 2020. General Electric Company and Instrument Transformers LLC reserve the right to change specifications of described products at any time without notice and without obligation to notify any person of such changes.

Worldwide Contact Center

Web: www.GEGridSolutions.com/contact

Phone: +44 (0) 1785 250 070

USA and Canada: +1 (0) 800 547 8629

Europe, Middle East and Africa: +34 (0) 94 485 88 00

