

Model 790MR

Current Transformer with Multi-Ratio Window Diameter 5.00"

Application

Relaying.

Frequency

50-400 Hz.

Insulation Level

0.6 kV, BIL 10 kV full wave.

Continuous Thermal Current Rating Factor

Secondary terminals are brass screws No. 10-32 with one flatwasher, lockwasher.

Approximate weight 15 lbs.



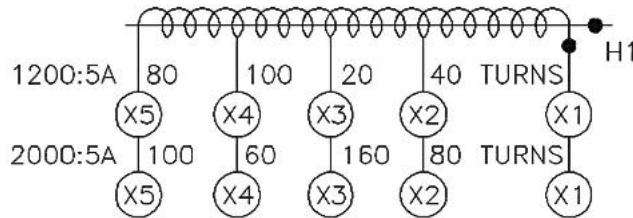
Model 790MR

Catalog Number	Relay Class	Continuous Thermal Current Rating Factor @ 30° C
790-122MR	C100	1.5
790-202MR	C100	1.5

REGULATORY AGENCY APPROVALS



Manufactured to meet the requirements of ANSI/IEEE C57.13. Classified by U.L. in accordance with IEC 44-1

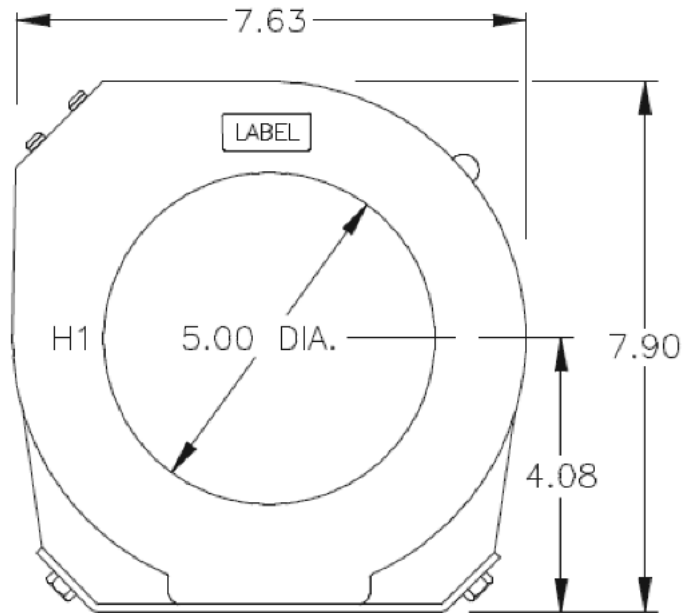


CONNECTION DIAGRAM

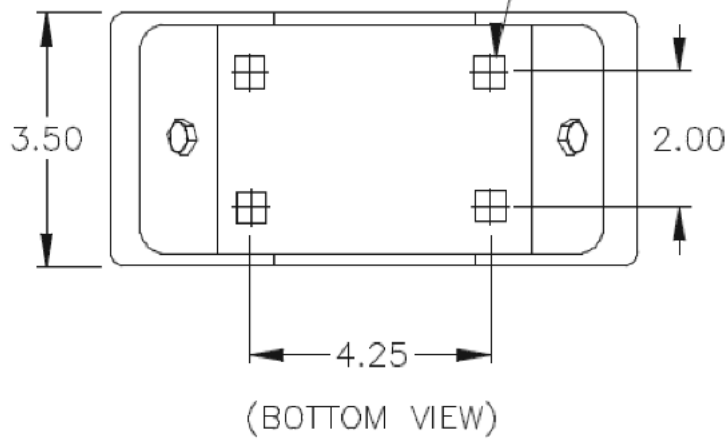


Model 790MR

Model 790-202MR



BASEPLATE HAS
(4) 0.47 SQUARE HOLES
FOR CAPTIVE NUTS



GEGridSolutions.com

Grid-AIS-L4-ITL_Model_790MR-1370-2017_08-EN. General Electric Company and Instrument Transformers LLC reserve the right to change specifications of described products at any time without notice and without obligation to notify any person of such changes.

Worldwide Contact Center

Web: www.GEGridSolutions.com/contact

Phone: +44 (0) 1785 250 070

USA and Canada: +1 (0) 800 547 8629

Europe, Middle East and Africa: +34 (0) 94 485 88 00

