

Model 685I

**Current Transformer IEC Rated 50 Hz
Window Diameter 178.3 mm**

Application

Protective and measuring.

Frequency

50-400 Hz.

Insulation Level

0.72 kV.

Continuous Thermal Current Rating Factor

50:5 thru 1500:5 2.00 at 30°C. amb.,
1.5 at 55°C. amb.

2000:5 thru 4000:5 1.33 at 30°C. amb.,
1.0 at 55°C. amb.

Secondary terminals are brass screws
ASA 10-32 with one flatwasher and
lockwasher, accessible from either side.

Approximate weight 29 kg.

Excitation data available upon request.



REGULATORY AGENCY APPROVALS



Manufactured to meet the requirements of ANSI/IEEE C57.13.
Classified by U.L. in accordance with IEC 44-1

Model 685I

1 AMP SECONDARY

Catalog Number	Current Ratio	IEC 44-1 Protection Class at 50 Hz					IEC 44-1 Measuring Class at 50 Hz				
		Burden VA					Burden VA				
		2.5	5	10	15	30	2.5	5	10	15	30
685I-400-1	40:1	10P20	-	-	-	-	3.0	-	-	-	-
685I-500-1	50:1	10P20	10P10	-	-	-	3.0	3.0	-	-	-
685I-750-1	75:1	10P30	10P20	10P10	-	-	3.0	3.0	3.0	5.0	-
685I-101-1	100:1	5P30	5P30	10P15	10P10	-	1.0	1.0	3.0	3.0	5.0
685I-151-1	150:1	5P30	5P30	5P20	10P10	10P5	0.5	1.0	1.0	3.0	3.0
685I-201-1	200:1	5P30	5P30	5P20	5P15	10P10	0.5	0.5	0.5	1.0	1.0
685I-251-1	250:1	5P30	5P30	5P30	5P20	5P10	0.5	0.5	0.5	1.0	1.0
685I-301-1	300:1	5P30	5P30	5P30	5P20	5P15	0.5	0.5	0.5	0.5	1.0
685I-351-1	350:1	5P30	5P30	5P30	5P30	5P15	0.2	0.2	0.5	0.5	0.5
685I-401-1	400:1	5P30	5P30	5P30	5P30	5P20	0.2	0.2	0.5	0.5	0.5
685I-501-1	500:1	5P30	5P30	5P30	5P30	5P20	0.2	0.2	0.2	0.2	0.5
685I-601-1	600:1	5P30	5P30	5P20	5P30	5P15	0.2	0.2	0.2	0.2	0.5
685I-701-1	700:1	5P30	5P30	5P30	5P30	5P20	0.1	0.1	0.2	0.2	0.5
685I-801-1	800:1	5P30	5P30	5P30	5P30	5P20	0.1	0.1	0.1	0.2	0.2
685I-102-1	1000:1	5P30	5P30	5P30	5P30	5P30	0.1	0.1	0.1	0.1	0.2
685I-122-1	1200:1	5P30	5P30	5P30	5P30	5P30	0.1	0.1	0.1	0.1	0.1
685I-152-1	1500:1	5P30	5P30	5P30	5P30	5P20	0.1	0.1	0.1	0.1	0.1
685I-162-1	1600:1	5P30	5P30	5P30	5P30	5P20	0.1	0.1	0.1	0.1	0.1
685I-202-1	2000:1	5P30	5P30	5P30	5P30	5P20	0.1	0.1	0.1	0.1	0.1
685I-252-1	2500:1	5P30	5P30	5P30	5P30	5P30	0.1	0.1	0.1	0.1	0.1
685I-302-1	3000:1	5P30	5P30	5P30	5P30	5P30	0.1	0.1	0.1	0.1	0.1
685I-402-1	4000:1	5P30	5P30	5P30	5P30	5P30	0.1	0.1	0.1	0.1	0.1

Note: Nameplate Ratings Bold Faced

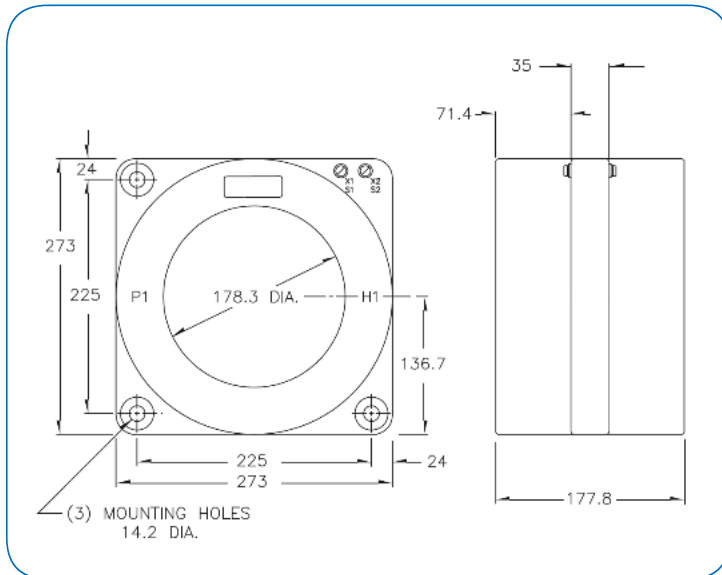


Model 685I

5 AMP SECONDARY

Catalog Number	Current Ratio	IEC 44-1 Protection Class at 50 Hz					IEC 44-1 Measuring Class at 50 Hz				
		Burden VA					Burden VA				
		2.5	5	10	15	30	2.5	5	10	15	30
685I-500-5	50:5	10P20	-	-	-	-	3.0	5.0	-	-	-
685I-750-5	75:5	10P30	10P20	10P15	-	-	3.0	3.0	5.0	5.0	-
685I-101-5	100:5	5P30	10P30	5P20	10P10	-	1.0	3.0	3.0	3.0	-
685I-151-5	150:5	5P30	5P30	5P20	10P15	10P5	0.5	1.0	1.0	3.0	3.0
685I-201-5	200:5	5P30	5P30	5P30	10P20	10P10	0.5	0.5	1.0	1.0	3.0
685I-251-5	250:5	5P30	5P30	5P30	5P20	5P10	0.5	0.5	0.5	1.0	1.0
685I-301-5	300:5	5P30	5P30	5P30	5P20	5P15	0.5	0.5	0.5	0.5	1.0
685I-401-5	400:5	5P30	5P30	5P30	5P30	5P20	0.2	0.5	0.5	0.5	0.5
685I-501-5	500:5	5P30	5P30	5P30	5P30	5P20	0.2	0.2	0.2	0.5	0.5
685I-601-5	600:5	5P30	5P30	5P30	5P30	5P20	0.2	0.2	0.2	0.2	0.5
685I-801-5	800:5	5P30	5P30	5P30	5P30	5P30	0.2	0.2	0.2	0.2	0.2
685I-102-5	1000:5	5P30	5P30	5P30	5P30	5P30	0.2	0.2	0.2	0.2	0.2
685I-122-5	1200:5	5P30	5P30	5P30	5P30	5P30	0.2	0.2	0.2	0.2	0.2
685I-152-5	1500:5	5P30	5P30	5P30	5P30	5P30	0.2	0.2	0.2	0.2	0.2
685I-202-5	2000:5	5P30	5P30	5P30	5P30	5P30	0.2	0.2	0.2	0.2	0.2
685I-252-5	2500:5	5P30	5P30	5P30	5P30	5P30	0.2	0.2	0.2	0.2	0.2
685I-302-5	3000:5	5P30	5P30	5P30	5P30	5P30	0.2	0.2	0.2	0.2	0.2
685I-402-5	4000:5	5P30	5P30	5P30	5P30	5P30	0.2	0.2	0.2	0.2	0.2

Note: Nameplate Ratings Bold Faced



GEGridSolutions.com

Grid-AIS-L4-ITL_Model_685I-1152-2017_06-EN. © Copyright 2017. General Electric Company and Instrument Transformers LLC reserve the right to change specifications of described products at any time without notice and without obligation to notify any person of such changes.

Worldwide Contact Center

Web: www.GEGridSolutions.com/contact

Phone: +44 (0) 1785 250 070

USA and Canada: +1 (0) 800 547 8629

Europe, Middle East and Africa: +34 (0) 94 485 88 00

