

# Model 681MR

**Current Transformer with Multi-Ratio  
Window Diameter 7.02"**

### Application

Relaying and Metering.

### Frequency

50-400 Hz.

### Insulation Level

600 Volts, 10 kV BIL full wave.

### Continuous Thermal Current Rating Factor

0.6 kV, BIL 10 kV full wave.

Secondary terminals are brass screws  
No. 10-32 with one flatwasher,  
lockwasher, accessible from either  
side.

Approximate weight 34 lbs.



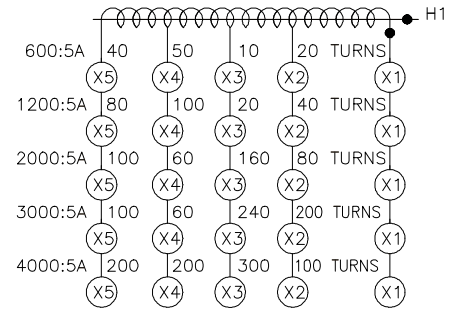
#### REGULATORY AGENCY APPROVALS



Manufactured to meet the requirements of ANSI/IEEE C57.13.  
Classified by U.L. in accordance with IEC 44-1

### Model 681MR

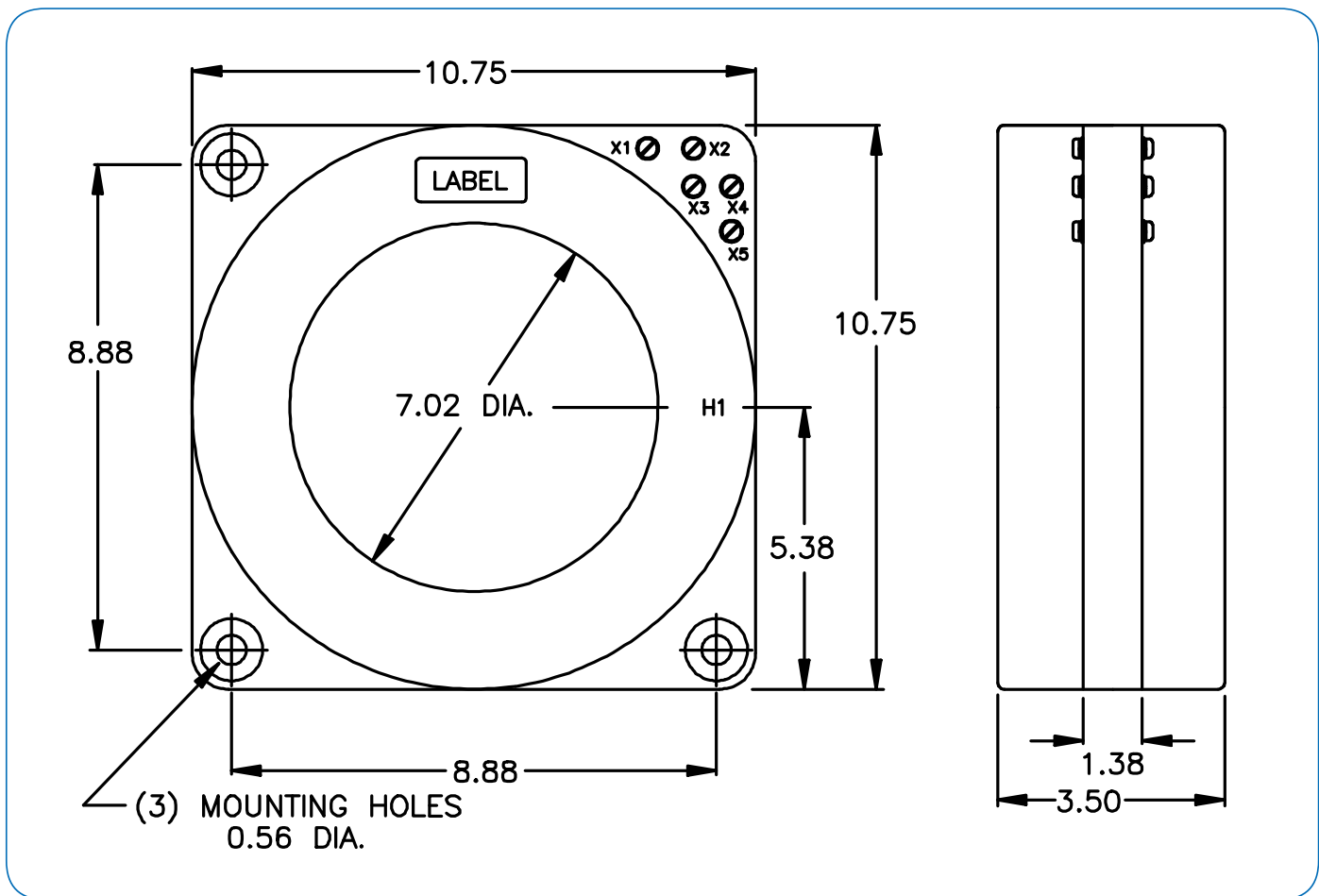
Catalog Number	Relay Class	ANSI Metering Class at 60 HZ	Continuous Thermal Rating Factor	
			@30°C	@55°C
681-601MR	C100	0.3B0.5	2.0	1.5
681-122MR	C200	0.3B1.8	2.0	1.5
681-202MR	C200	0.3B1.8	2.0	1.5
681-302MR	C200	0.3B1.8	1.33	1.0
681-402MR	C200	0.3B1.8	1.33	1.0



CONNECTION DIAGRAM



# Model 681MR



[GEGridSolutions.com](http://GEGridSolutions.com)

Grid-AIS-L4-ITL\_Model\_681-1358-2017\_06-EN. © Copyright 2017. General Electric Company and Instrument Transformers LLC reserve the right to change specifications of described products at any time without notice and without obligation to notify any person of such changes.

### Worldwide Contact Center

Web: [www.GEGridSolutions.com/contact](http://www.GEGridSolutions.com/contact)

Phone: +44 (0) 1785 250 070

USA and Canada: +1 (0) 800 547 8629

Europe, Middle East and Africa: +34 (0) 94 485 88 00

