

Models 63A, 63B, 63C

Current Transformer Window Diameter 0.56", 1.25", 2.00"

Application

With ammeters, wattmeters,
and cross current compensation.

Frequency

50-400 Hz.

Insulation Level

600 Volt, 10 kV BIL full wave.

Terminal are brass studs No. 8-32
with one flatwasher, lockwasher and
regular nut.

Approximate weight
Model 63A-2.0 lbs.
Model 63B-2.0 lbs.
Model 63C-2.0 lbs.



Model 63A

Catalog Number	Current Ratio	Accuracy at 60 Hz	Burden VA at 60 Hz	DIM "A"
63A-500	50:5	± 2%	2.5	0.56
63A-600	60:5	± 2%	2.5	
63A-750	75:5	± 1%	2.5	
63A-800	80:5	± 1%	2.5	
63A-101	100:5	± 1%	2.5	

Model 63B

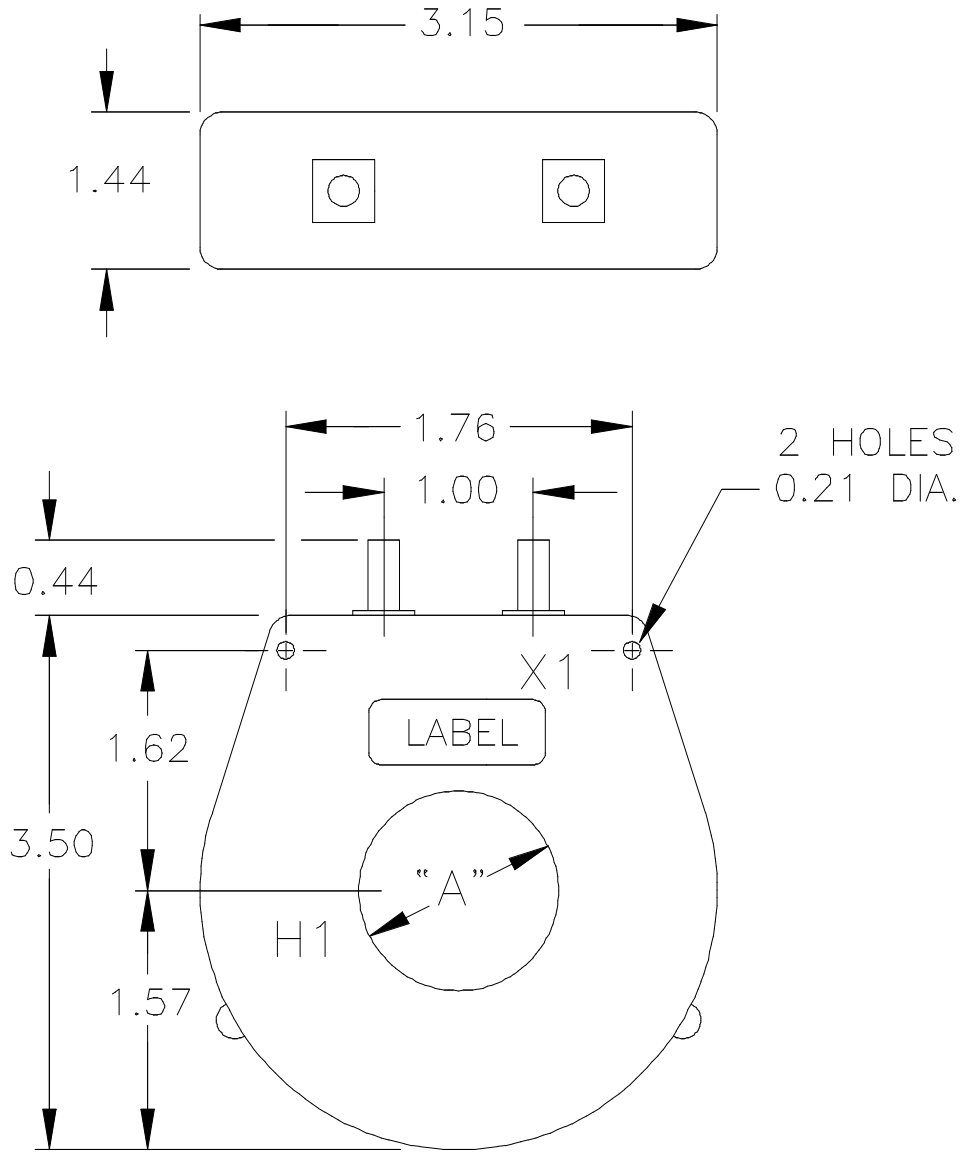
Catalog Number	Current Ratio	Accuracy at 60 Hz	Burden VA at 60 Hz	DIM "A"
63B-500	50:5	± 2%	1.5	1.25
63B-750	75:5	± 2%	2.5	
63B-101	100:5	± 1%	2.5	
63B-1250	125:5	± 1%	2.5	
63B-151	150:5	± 1%	3.0	
63B-1750	175:5	± 1%	4.0	
63B-201	200:5	± 1%	5.0	
63B-251	250:5	± 1%	6.0	
63B-301	300:5	± 1%	6.0	

Model 63C

Catalog Number	Current Ratio	Accuracy at 60 Hz	Burden VA at 60 Hz	DIM "A"
63C-500	50:5	± 3%	1.0	2.0
63C-101	100:5	± 1%	1.0	
63C-151	150:5	± 1%	2.0	
63C-201	200:5	± 1%	4.0	
63C-2250	225:5	± 1%	4.0	
63C-251	250:5	± 1%	5.0	
63C-301	300:5	± 1%	6.0	
63C-401	400:5	± 1%	7.5	
63C-501	500:5	± 1%	10.0	
63C-601	600:5	± 1%	10.0	



Model 63A, 63B & 63C



GEGridSolutions.com

Grid-AIS-L4-ITL_Model_63A_B_C-1550-2017_05-EN. © Copyright 2017. General Electric Company and Instrument Transformers LLC reserve the right to change specifications of described products at any time without notice and without obligation to notify any person of such changes.

Worldwide Contact Center

Web: www.GEGridSolutions.com/contact

Phone: +44 (0) 1785 250 070

USA and Canada: +1 (0) 800 547 8629

Europe, Middle East and Africa: +34 (0) 94 485 88 00

