

# Model 460I

## Voltage Transformer IEC Rated 50 Hz

### Application

50 Hz.

### Standard Secondary Voltage

110 Volts.

### Insulation Level

0.72 kV

### Accuracy Class

0.5 @ 10 VA.

1.0 @ 20 VA.

### Thermal Rating

125 VA at 30 °C. amb.

75 VA at 55 °C. amb.

Terminals are brass studs No. 10-32 with one lockwasher, flatwasher and regular nut.

Approximate weight 3.5 kg



### Model 460I

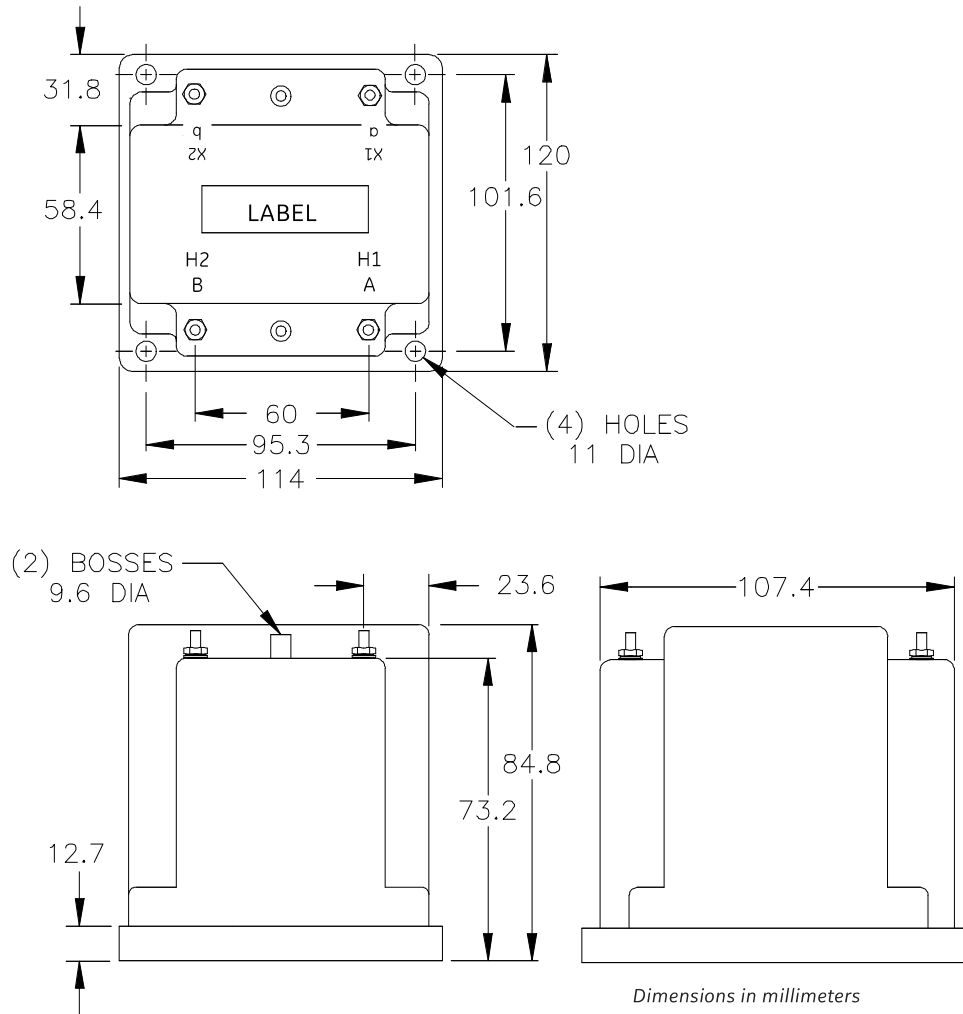
Catalog Number	Voltage Ratio	Turns Ratio	Rec. Primary Fuse rating
460I-110	110:110	1:1	3 amp.
460I-220	220:110	2:1	2 amp
460I-380	380:110	3.45:1	1 amp
460I-400	400:110	3.64:1	1 amp
460I-416	416:110	3.78:1	1 amp
460I-440	440:110	4:1	1 amp

Above part numbers are available with 100 volt secondaries.



## Model 460I

- The core and coil assembly is encased in a thermoplastic shell and filled with resin.
- These transformers are designed for operation line-to-line. They may also be operated line-to-ground or line-to-neutral at reduced voltage, (58 % of rated volts).
- It is desirable to use a 1.75 amp fuse in the secondary to protect the transformer.
- Terminal covers available upon request.



### [GEGridSolutions.com](http://GEGridSolutions.com)

Grid-AIS-L4-ITL\_Model\_460I-1417-2017\_05-EN. General Electric Company and Instrument Transformers LLC reserve the right to change specifications of described products at any time without notice and without obligation to notify any person of such changes.

### Worldwide Contact Center

Web: [www.GEGridSolutions.com/contact](http://www.GEGridSolutions.com/contact)

Phone: +44 (0) 1785 250 070

USA and Canada: +1 (0) 800 547 8629

Europe, Middle East and Africa: +34 (0) 94 485 88 00

