

Model HGF3C

Ground Fault Current Transformer

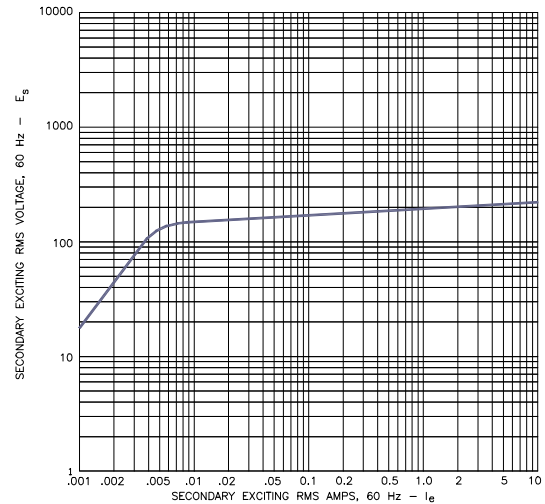
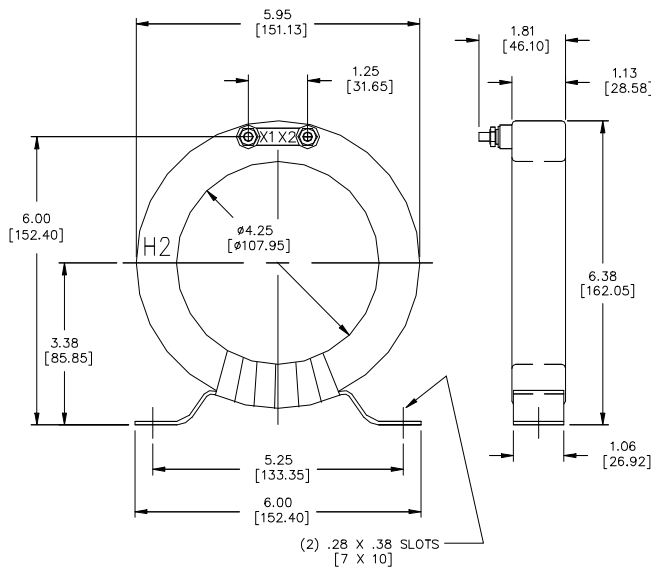
Specially designed to match the ground fault input of GE Multilin motor protection relays and should be used to ensure correct performance. This CT can sense low leakage currents over the relay setting range with minimum error.

Notes

1. Ratio 50:0.025 Amp
2. Insulation Class: 0.6 kV, 10kV BIL
3. Frequency: 50-60 Hz
4. DC Resistance approximately 26 ohms
5. Thermoplastic case on metal bracket
6. Terminals are #10-32 brass studs with one flat washer, lockwasher, and regular nut
7. Approximate weight: 3.0 lbs. (1.4 kg)
8. UL and cUL recognized
9. Dimensions shown as inches [mm]
10. Application: Ground fault sensors to work in conjunction with GE Multilin motor management relays.

Part Number

19RT-SD-38137
50:0.025 Amps (2,000:1 Ratio)
Replaces Multilin P/N HGF3



GEGridSolutions.com

Grid-AIS-L4-ITL_Model_HGF3C-1136-2017_08-EN. © Copyright 2017. General Electric Company and Instrument Transformers LLC reserve the right to change specifications of described products at any time without notice and without obligation to notify any person of such changes.

Worldwide Contact Center

Web: www.GEGridSolutions.com/contact
Phone: +44 (0) 1785 250 070
USA and Canada: +1 (0) 800 547 8629
Europe, Middle East and Africa: +34 (0) 94 485 88 00

