

Model 3PT3-60

Indoor Voltage Transformer Medium Voltage

Accuracy Class

0.3 WX, 0.6 M, 1.2 Y at 100 % rated voltage with 120 V based ANSI burden.

Frequency

60 Hz

Thermal Rating

700 VA total 350 VA per phase, at 30 °C. amb.

450 VA total, 225 VA per phase, at 55 °C. amb

Standard Secondary Voltage

120 volts.

Maximum System Voltage

5.6 kV, BIL 60 kV.

Primary terminals are No.10-32 brass screws with one flatwasher and lockwasher.

Approximate weight 38 lbs.



REGULATORY AGENCY APPROVALS
 E93779  LR89403
 Manufactured to meet the requirements of ANSI/IEEE C57.13.
 Classified by U.L. in accordance with IEC 44-1

Model 3PT3-60

| Group | Catalog Number Fuses | Catalog Number Fuses Clips Only | Rated Primary Voltage | Ratio | Suggested Fuse Rating** |
|-------|----------------------|---------------------------------|-----------------------|-------|-------------------------|
| 1 | 3PT3-60-242FFF | 3PT3-60-242CCC | 2,400 | 20:1 | 1.0E |
| 2 | *3PT3-60-332FFF | *3PT3-60-332CCC | 3,300 | 30:1 | 1.0E |
| 2 | 3PT3-60-422FFF | 3PT3-60-422CCC | 4,200 | 35:1 | 0.5E |
| 2 | 3PT3-60-482FFF | 3PT3-60-482CCC | 4,800 | 40:1 | 0.5E |

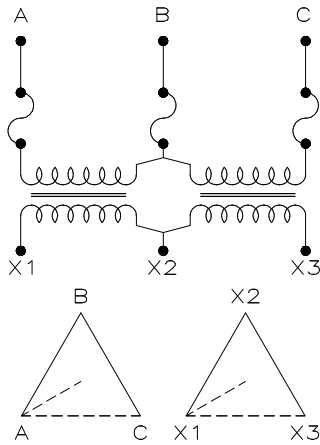
* Rated 50/60 Hz, 03 W, 500 VA Total @ 30 °C, 350 VA Total @ 55 °C.



Model 3PT3-60

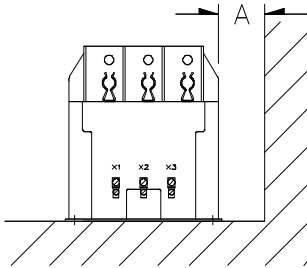
Connection Diagram

** See page 32, Primary Fuse Rating
Fuse is 0.81" Diameter, 5.62" Long.

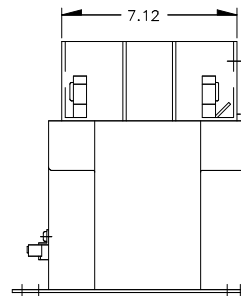
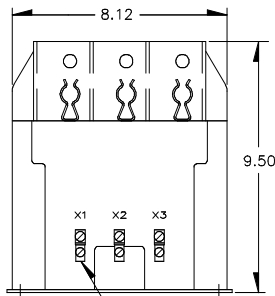
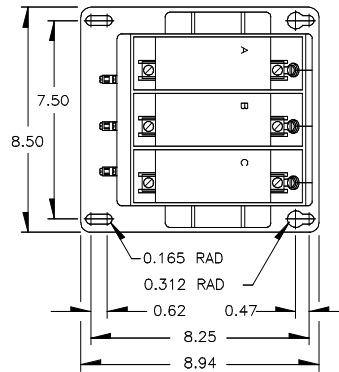


RECOMMENDED MINIMUM SPACING
A = Case to Ground = 1.50" Minimum.

Recommended spacing are for guidance only.
User needs to set appropriate values to assure
performance for high potential test, impulse
test, high humidity, partial discharge, high
altitude, and other considerations like
configuration.



* The core and coil assembly is encased in a
plastic enclosure and vacuum encapsulated in
polyurethane resin.



SINGLE HOLE SOLDERLESS
LUGS FOR #6 THRU #14 WIRE

GEGridSolutions.com

Grid-AIS-L4-ITL_Model_3PT3-1410-2017_05-EN. © Copyright 2017. General Electric Company and Instrument Transformers LLC reserve the right to change specifications of described products at any time without notice and without obligation to notify any person of such changes.

Worldwide Contact Center

Web: www.GEGridSolutions.com/contact

Phone: +44 (0) 1785 250 070

USA and Canada: +1 (0) 800 547 8629

Europe, Middle East and Africa: +34 (0) 94 485 88 00

