

# Models 3P668 & 3P668L

## Current Transformers Window Diameter 3.66"

### Application

3 phase metering and motor overload protection.

### Frequency

50-400 Hz.

### Insulation Level

600 Volts, 10 kV BIL full wave.

Terminals are brass studs No. 8-32 with one flatwasher and regular nut.

Leads (4) are 12 gauge, 24" long.

Approximate weight 7.5 lbs.



### Data Table: Models 3P668, 3P668L

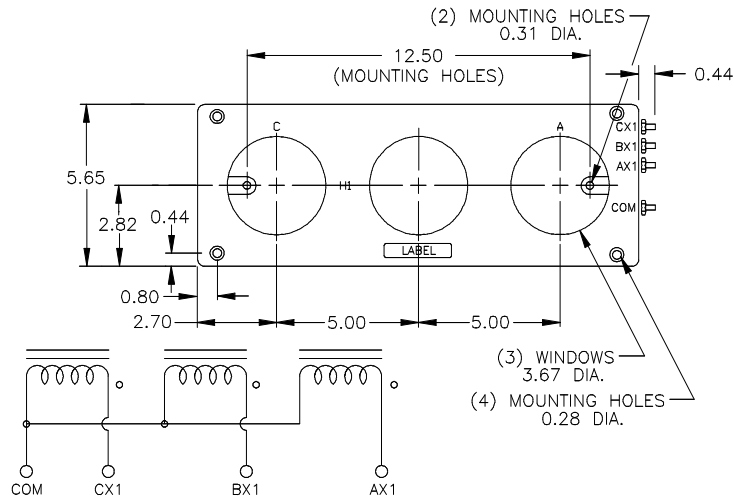
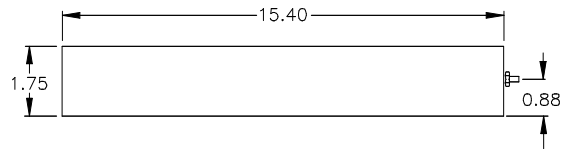
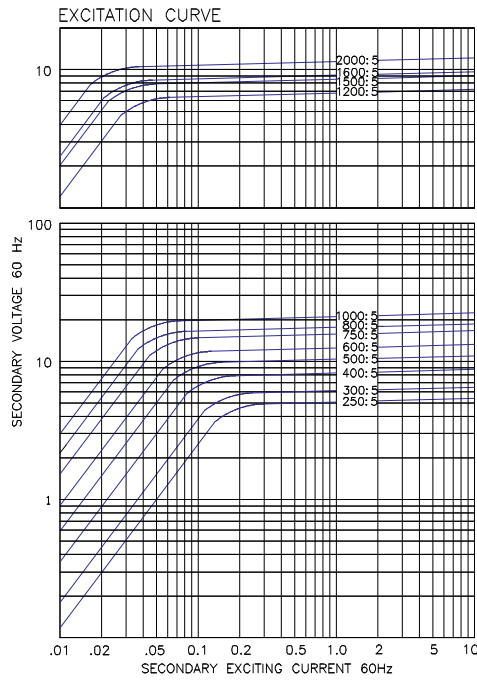
**Catalog Number	Current Ratio	ANSI Metering Class at 60 Hz					Secondary Winding Resistance (Ω @ 75°C)
		BO.1	BO.2	BO.5	BO.9	B1.8	
3P668-251	250:5 *	0.6	1.2	2.4	—	—	0.058
3P668-301	300:5 *	0.6	0.6	1.2	2.4	—	0.070
3P668-401	400:5 *	0.3	0.6	1.2	1.2	—	0.093
3P668-501	500:5 *	0.3	0.3	0.6	1.2	—	0.116
3P668-601	600:5	0.3	0.3	0.6	1.2	—	0.139
3P668-751	750:5 *	0.3	0.3	0.3	0.6	1.2	0.175
3P668-801	800:5 *	0.3	0.3	0.3	0.6	1.2	0.199
3P668-102	1000:5 *	0.3	0.3	0.3	0.6	0.6	0.279
3P668-122	1200:5 *	0.3	0.3	0.3	1.2	1.2	0.185
3P668-152	1500:5 *	0.3	0.3	0.3	0.6	1.2	0.289
3P668-162	1600:5 *	0.3	0.3	0.3	0.6	1.2	0.369
3P668-202	2000:5 *	0.3	0.3	0.3	0.3	0.6	0.462

\*\* FOR MODEL W/LEADS ADD "L" TO PREFIX.

Approved for revenue metering by Industry Canada No. AE-0636(\*)



# Model 3P668, 3P668L



## GEGridSolutions.com

Grid-AIS-L4-ITL\_Model\_3P668-1200-2017\_05-EN. © Copyright 2017. General Electric Company and Instrument Transformers LLC reserve the right to change specifications of described products at any time without notice and without obligation to notify any person of such changes.

### Worldwide Contact Center

Web: [www.GEGridSolutions.com/contact](http://www.GEGridSolutions.com/contact)

Phone: +44 (0) 1785 250 070

USA and Canada: +1 (0) 800 547 8629

Europe, Middle East and Africa: +34 (0) 94 485 88 00

