

GE

Energy Connections

Model 3P41

Current Transformer Window Diameter 2.03”

Application

3 phase relay, metering and motor overload protection.

Frequency

50-400 Hz.

Insulation Level

600 Volts, 10 kV BIL full wave.

Terminals are brass studs No. 8-32 with one flatwasher, lockwasher and regular nut.

Approximate weight 12 lbs.



(For Horizontal Mounting)

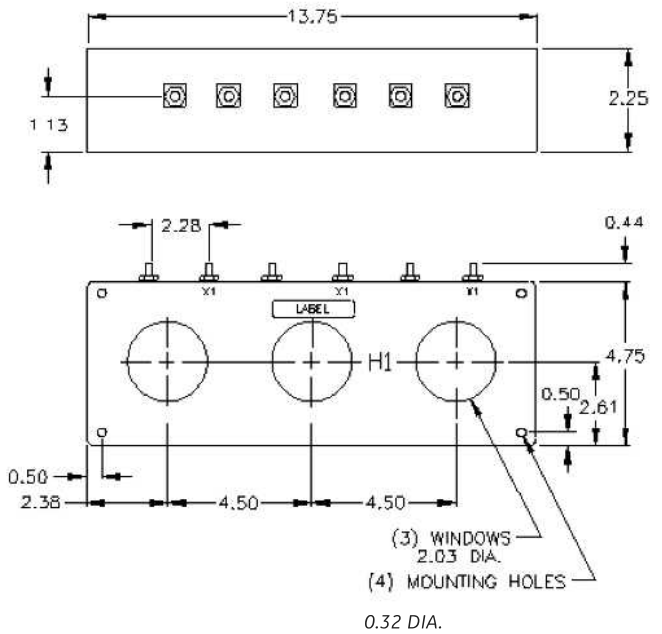
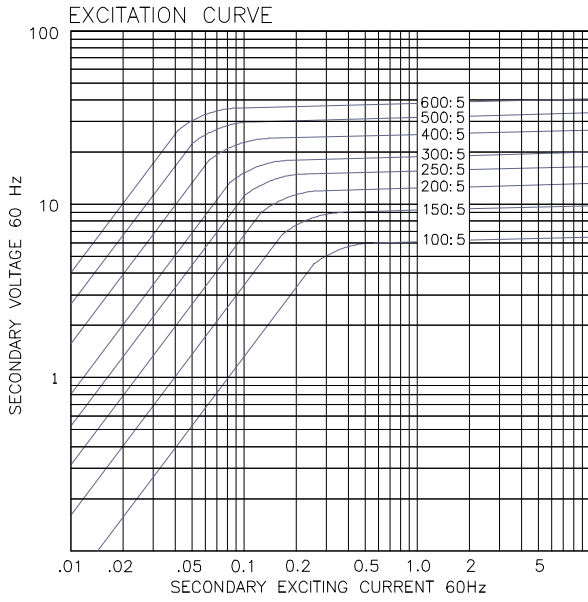


Data Table: Model 3P41

Catalog Number	Current Ratio	V.A. ± 1% Class	ANSI Metering Class at 60 Hz					Secondary Winding Resistance (Ω @ 75 °C)
			BO.1	BO.2	BO.5	BO.9	B1.8	
3P41-101	100:5	—	1.2	1.2	2.4	—	—	0.030
3P41-151	150:5	—	0.6	0.6	1.2	2.4	—	0.045
3P41-201	200:5	—	0.3	0.6	1.2	2.4	2.4	0.075
3P41-251	250:5	C10	0.3	0.3	0.6	1.2	2.4	0.094
3P41-301	300:5	C10	0.3	0.3	0.3	0.6	1.2	0.090
3P41-401	400:5	C10	0.3	0.3	0.3	0.3	0.6	0.151
3P41-501	500:5	C20	0.3	0.3	0.3	0.3	0.6	0.149
3P41-601	600:5	C20	0.3	0.3	0.3	0.3	0.6	0.179



Model 3P41



GEGridSolutions.com

Grid-AIS-L4-ITL_Model_3P41-1193-2017_05-EN. © Copyright 2017. General Electric Company and Instrument Transformers LLC reserve the right to change specifications of described products at any time without notice and without obligation to notify any person of such changes.

Worldwide Contact Center

Web: www.GEGridSolutions.com/contact

Phone: +44 (0) 1785 250 070

USA and Canada: +1 (0) 800 547 8629

Europe, Middle East and Africa: +34 (0) 94 485 88 00

