

Models 14, 15, 16

Current Transformers Window Diameter 0.64", 0.94", 1.25"

Application

With ammeters, energy management systems, and instrumentation.

Frequency

50-400 Hz.

Insulation Level

600 Volt, 10 kV BIL full wave.

Terminal are brass studs No. 8-32 with one flatwasher, lockwasher and regular nut.

Flexible leads are UL 1015, 105 °C, CSA approved, #16 AWG, 24" long.

Non-standard, lead length can be specified.

SFT case style also available as SFL with leads.

Approximate weight 0.9 lbs



Model 15RT shown



Data Table: Models 14, 15, 16

Catalog Number	Current Ratio	Accuracy at 60 Hz	Burden VA at 60 Hz	DIM "A"
14**–500	50:5	±1.5%	2.5	0.50
14**–600	60:5	±1.5%	2.5	
14**–750	75:5	±1.5%	2.5	
14**–800	80:5	±1.0%	2.5	
14**–101	100:5	±1.0%	3.0	
15**–500	50:5	±1.5%	2.0	0.94
15**–600	60:5	±1.5%	2.0	
15**–750	75:5	±1.5%	2.5	
15**–800	80:5	±1.0%	2.0	
15**–101	100:5	±1.0%	2.0	
15**–121	120:5	±1.0%	3.0	
15**–1250	125:5	±1.0%	4.0	
15**–151	150:5	±1.0%	5.0	
15**–1750	175:5	±1.0%	10	
15**–201	200:5	±1.0%	12.5	

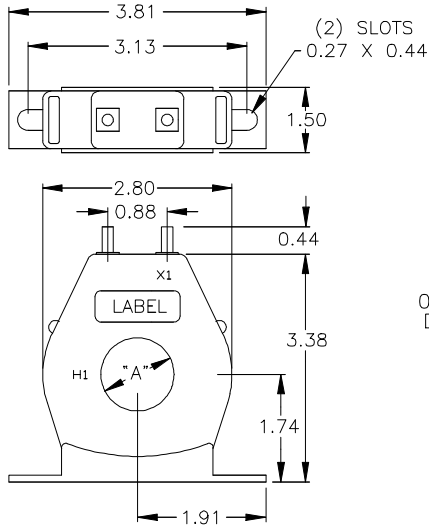
Catalog Number	Current Ratio	Accuracy at 60 Hz	Burden VA at 60 Hz	DIM "A"
16**–500	50:5	±2%	1.5	1.25
16**–600	60:5	±2%	1.5	
16**–750	75:5	±2%	3.0	
16**–800	80:5	±2%	3.0	
16**–101	100:5	±1%	3.0	
16**–121	120:5	±1%	4.0	
16**–1250	125:5	±1%	5.0	
16**–151	150:5	±1%	6.0	
16**–1750	175:5	±1%	7.0	
16**–201	200:5	±1%	8.0	
16**–251	250:5	±1%	10	
16**–301	300:5	±1%	10	
16**–401	400:5	±1%	15	

**Note: When ordering, prefix Cat No. with model designation required i.e. 14RL–600, 15SFT–151, 16RT–151, etc.

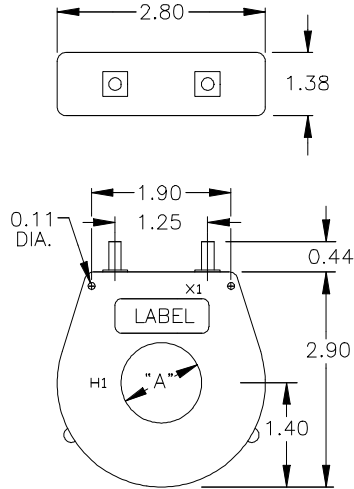


Models 14, 15, 16

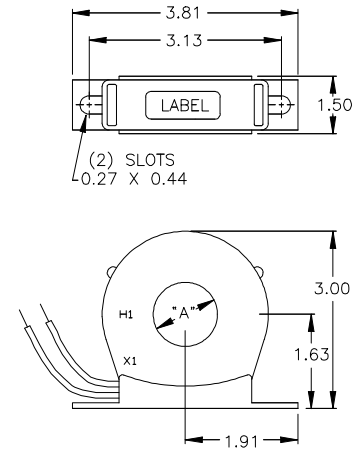
RBT Style



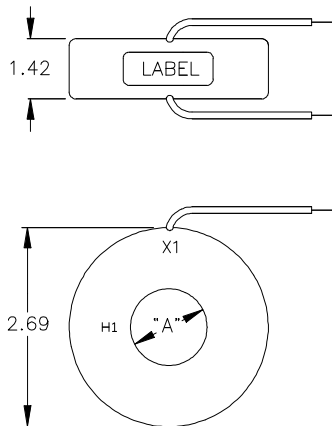
RT Style



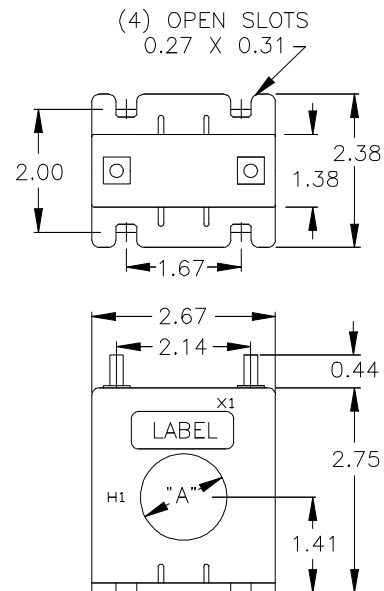
RBL Style



RL Style



SFT Style



GEGridSolutions.com

Grid-AIS-L4-ITL_Model_14_16-1545-2017_05-EN. © Copyright 2017. General Electric Company and Instrument Transformers LLC reserve the right to change specifications of described products at any time without notice and without obligation to notify any person of such changes.

Worldwide Contact Center

Web: www.GEGridSolutions.com/contact

Phone: +44 (0) 1785 250 070

USA and Canada: +1 (0) 800 547 8629

Europe, Middle East and Africa: +34 (0) 94 485 88 00

