

Model 130

Current Transformer Window Diameter 5.75"

Application

Relaying and metering.

Frequency

50-400 Hz.

Insulation Level

600 Volt, 10 kV BIL full wave.

Terminals are brass studs No. 8-32 with one flatwasher, lockwasher and regular nut.

Order mounting bracket kit 0221B00186 separately.

Multi-ratios available upon request.

Approximate weight 18 lbs.



REGULATORY AGENCY APPROVALS



E93779



LR89403

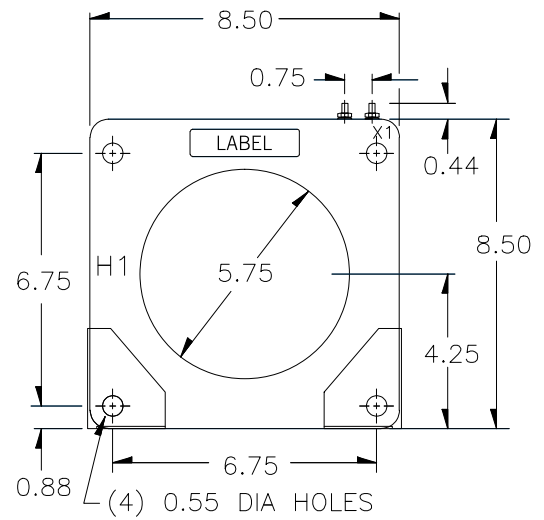
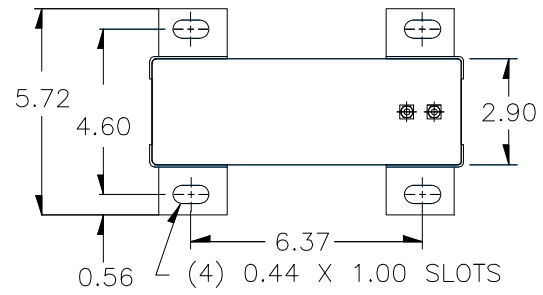
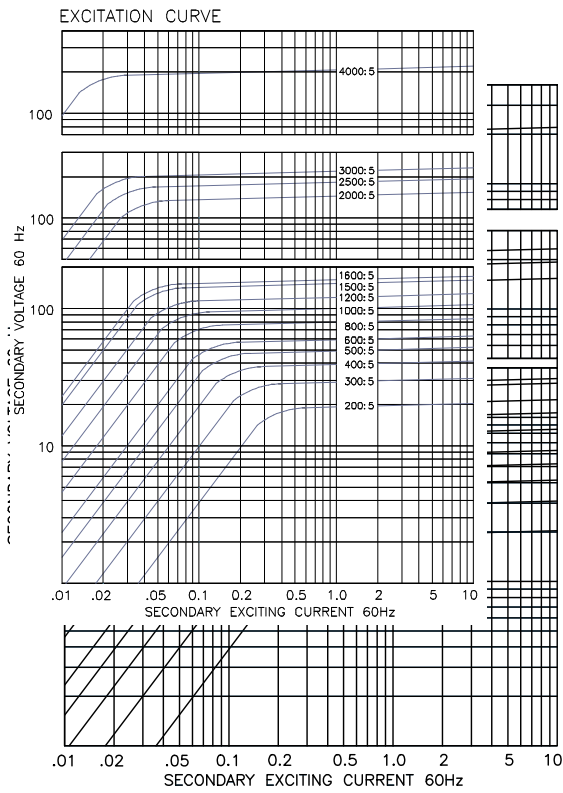
Manufactured to meet the requirements of ANSI/IEEE C57.13.
Classified by U.L. in accordance with IEC 44-1

Model 130

Catalog Number	Current Ratio	V.A. ± 1% Class	ANSI Metering Class at 60 Hz					Secondary Winding Resistance (Ω @ 75 °C)	Continuous Thermal Rating Factor	
			B0.1	B0.2	B0.5	B0.9	B1.8		@ 30 °C	@ 55 °C
130-201	200:5	C10	0.6	0.6	2.4	2.4	4.8	0.064	2.0	2.0
130-301	300:5	C20	0.3	0.3	1.2	1.2	2.4	0.105	2.0	2.0
130-401	400:5	C20	0.3	0.3	0.6	1.2	1.2	0.140	2.0	2.0
130-501	500:5	C20	0.3	0.3	0.3	0.6	1.2	0.175	2.0	2.0
130-601	600:5	C20	0.3	0.3	0.3	0.6	1.2	0.210	2.0	1.5
130-801	800:5	C50	0.3	0.3	0.3	0.3	0.6	0.324	2.0	1.5
130-102	1,000:5	C50	0.3	0.3	0.3	0.3	0.3	0.404	1.5	1.33
130-122	1,200:5	C100	0.3	0.3	0.3	0.3	0.3	0.485	1.5	1.0
130-152	1,500:5	C100	0.3	0.3	0.3	0.3	0.3	0.607	1.5	1.0
130-162	1,600:5	C100	0.3	0.3	0.3	0.3	0.3	0.647	1.33	1.0
130-202	2,000:5	C100	0.3	0.3	0.3	0.3	0.3	0.783	1.33	1.0
130-252	2,500:5	C100	0.3	0.3	0.3	0.3	0.3	0.979	1.0	0.8
130-302	3,000:5	C100	0.3	0.3	0.3	0.3	0.3	1.175	1.0	0.8
130-402	4,000:5	C100	0.3	0.3	0.3	0.3	0.3	1.484	1.0	0.6



Model 130



GEGridSolutions.com

ITI-Model-130-Spec-EN-2019-02-EN-Grid-AIS-1243. © Copyright 2019. General Electric Company and Instrument Transformers LLC reserve the right to change specifications of described products at any time without notice and without obligation to notify any person of such changes.

Worldwide Contact Center

Web: www.GEGridSolutions.com/contact

Phone: +44 (0) 1785 250 070

USA and Canada: +1 (0) 800 547 8629

Europe, Middle East and Africa: +34 (0) 94 485 88 00

