



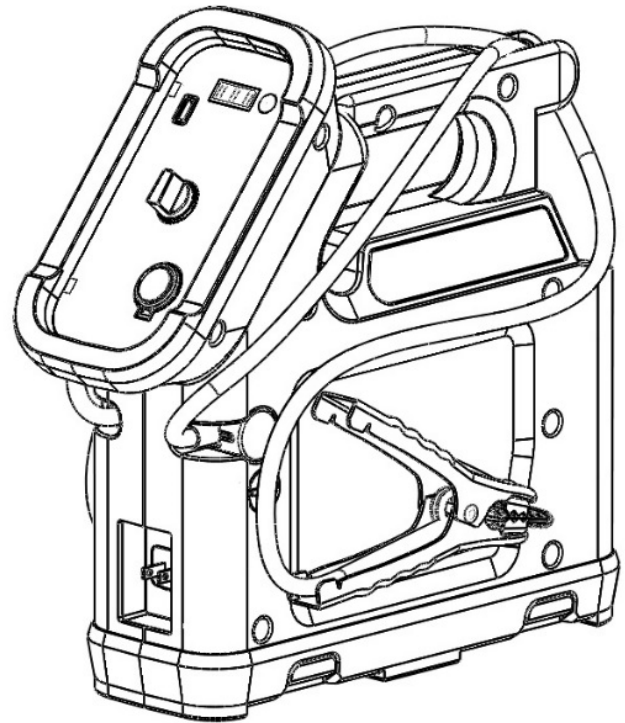
# KS400/KS401

## KwikStart ProHD

### Operation and Maintenance Manual

#### FEATURES:

- 22Ah / 360CCA Battery
- 300 Amp Plastisol Coated Steel Clamps
- Internal Charger 12V / 600mA
- Digital LED Display
- Heavy Duty 4AWG Copper Cables  
3FT KS400, 7FT KS401
- USB Power Output
- 12V Power Socket
- DC to DC extension cord (Included)
- Storage Area for Accessories
- Rubber Base for Slip Resistance and Drop Protection
- Designed for Field Repair



Made in USA of US and imported parts

**California Proposition 65 Warning**

**WARNING:** This product contains chemicals, including lead, known to the State of California to cause cancer, birth defects and other reproductive harm.

***Wash hands after handling.***

# IMPORTANT SAFETY INSTRUCTIONS

- 1. SAVE THESE INSTRUCTIONS** – This manual contains important safety and operating instructions.



**Contains sealed, non-spillable lead acid battery. Must be disposed of properly.**

- 2. WARNING – RISK OF EXPLOSIVE GASES.**
  - Working in the vicinity of a lead acid battery is dangerous. Batteries generate explosive gases during normal battery operation. For this reason, it is of utmost importance that when using the unit, you read this manual and follow the instructions exactly.
  - To reduce risk of battery explosion, follow these instructions and those published by battery manufacturer and manufacturer of any equipment you intend to use in vicinity of battery. Review cautionary marking on these products and on engine.
- 3. PERSONAL PRECAUTIONS**
  - Someone should be within range of your voice or close enough to come to your aid when you work near a lead-acid battery.
  - Wear complete eye protection, and clothing protection. Avoid touching eyes while working near battery.
  - Have plenty of fresh water and soap nearby in case battery acid contacts skin, clothing, or eyes.
  - If battery acid contacts skin or clothing, wash immediately with soap and water. If acid enters eyes, immediately flood eyes with running cold water for at least 10 minutes and get medical attention immediately.
  - NEVER smoke or allow a spark or flame in vicinity of battery or engine.
  - Be extra cautious to reduce risk of dropping a metal tool onto battery. It might spark or short circuit battery or other electrical part that may cause explosion.
  - Remove personal metal items such as rings, bracelets, necklaces, and watches when working with a lead-acid battery. A lead-acid battery can produce a short circuit current high enough to weld a ring or the like to metal, causing a severe burn.
  - Use this unit for charging or boosting a LEAD-ACID battery only. Do not use for charging dry-cell batteries that are commonly used with home appliances. These batteries may burst and cause injury to persons and damage to property.
  - NEVER charge a frozen battery.
  - NEVER allow clamps to touch together or contact the same piece of metal to prevent arcing.

- 4. IMPORTANT SAFETY INSTRUCTIONS**
  - Use of an attachment not recommended or sold by the manufacturer may result in a risk of fire, electric shock, or injury to persons and/or property.
  - When using the AC or DC power extension cords, pull on the plug and NEVER ON THE WIRE when disconnecting.
  - Do not recharge the unit with a damaged charger or power extension cord. Replace them immediately.
  - The unit may be used under any weather condition. Rain, snow, hot, or cold temperatures.
  - Do not submerge in water.
  - Do not operate with flammables such as gasoline etc...
  - If the unit receives a sharp blow or is otherwise damaged, in any way, have it checked by a qualified service person. If the unit is leaking battery acid do not ship it. Take it to the closest battery recycler in your area.
  - Do not disassemble the unit. Have it checked by a qualified service person.

- To prevent shock and spark hazard at clamps, ALWAYS place the switch in the OFF position when the KS400/KS401 is not in use.

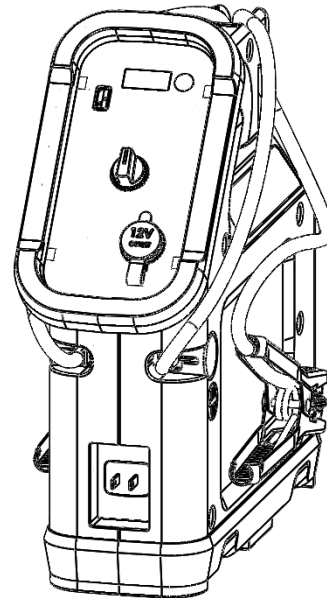
The unit should never be left in a total discharged state for any period of time. Damage to the battery could be permanent with poor performance as a result. When not in use, leave the unit's internal charger connected to AC power or recharge every six (6) months.

## RECHARGING PROCEDURES

When new, your KS400/KS401 should be charged for a minimum of 30 hours, unless the unit status is in good condition. (See figure 2)

DISPLAY	STATUS
Voltage → Gd.9	Unit in Good Condition
Voltage → Gd.8	
Voltage → Gd.7	Charge Unit Soon
Voltage → ch.6	
Voltage → ch.5	
Voltage → ch.4	Charge Unit Immediately
Voltage → lo.3	
Voltage → lo.2	

Figure 2. Test Button, Charging, Power Level and Charged LED's



NOTE: There are two ways to recharge the KS400/KS401. The first method is automatic charging with the internal charger (preferred). The second is through the DC power port through the DC power extension cord. The second method is not automatic and requires watching because the KS400/KS401 could be damaged due to overcharging.

- Using the Internal Charger:** The KS400/KS401 is automatically charged when using the internal charger. A two pin male plug on the front of the KS400/KS401 is connected through a smart circuit board to the KS400/KS401 making recharging automatic. Overcharging is not a problem when using the internal charger and the KS400/KS401 internal charger can be left connected to an AC power source indefinitely.
  - Connect the AC power extension cord onto the KS400/KS401's male plug. (See figure 3)
  - Plug the AC power extension cord into a correctly wired AC receptacle (the display will light with the charging voltage and the grade of charge)
  - Allow the KS400/KS401 to charge until the charge status is Gd.9. Check by pushing the status button.

- d. Once the unit has a Gd.9 status, charge the unit another three to six hours, (three hours is acceptable but to ensure maximum output capability, six hours is preferred).
  - e. If you are not going to need the KS400/KS401 right away you may leave the KS400/KS401'S internal charger connected to the AC power source. We recommend that the KS400/KS401's internal charger remain connected to an AC power source whenever the KS400/KS401 is not in use.
2. **USING THE DC POWER EXTENSION CORD.** Plug one end of the DC power extension cord into the KS400/KS401's power receptacle and the other end into a vehicle's lighter outlet (the vehicle's engine should be running first). Push the test button **once every hour** to check the unit status by pushing the "Status Button" **DO NOT OVERCHARGE!** This is not an automatic method of charging the KS400/KS401. You must frequently monitor the charging process to ensure the KS400/KS401 is not overcharged. Overcharging will damage your KS400/KS401.  
Note: Status button needs to be pressed to check power level.

## OPERATING INSTRUCTIONS USED AS A BATTERY CHARGER

The KS400/KS401 is intended, primarily, to be used to start or restart a vehicle when the battery in the vehicle has become run down to the point that it will not start the vehicle without assistance. However, the KS400/KS401 can also be used to restore some charge to the vehicle battery.

1. Plug the DC power extension cord from the KS400/KS401 into the vehicle's cigar lighter outlet for 30 minutes.

NOTE: Some vehicle's ignition keys must be turned to accessory to activate the cigar lighter socket.

2. Remove the DC power extension cord and start the car.

NOTE: A defective battery may refuse to accept a charge from the KS400/KS401.

## USED AS AN EMERGENCY JUMP STARTER

NOTE: For optimum performance, do not store below 50°F when using as a jump starter.

1. Turn ignition off before making cable connections.
2. Use in a well-ventilated area.
3. SHIELD EYES.
4. Clamp the positive (red +) clamp to the positive terminal on the weak battery (for negative ground system).
5. Clamp the negative (black -) clamp to the vehicle frame (ground). Make sure the cables are not in the path of moving belts or fan.

NOTES:

- a. If cables are attached in reverse, 888→REV will flash on the display.
  - b. When the cables are connected and the unit switch is in the OFF position the display will flash "888→SW→ON→Vdc" (vehicle battery voltage is displayed).
6. Turn unit switch to the "ON" position. Display will flash "888→SW→ON→Vdc".
  7. Stay clear of batteries while jump starting.
  8. Start the vehicle (turn on the vehicle ignition).

NOTE: If the vehicle does not start within 6 seconds, let the KS400/KS401 internal battery cool for 3 minutes before attempting to start the vehicle again or damage to the KS400/KS401 may occur.

9. When the vehicle is started, turn unit switch to "OFF" position, disconnect the negative (-) battery clamp from the vehicle frame.
10. Disconnect the positive (+) clamp.

## USED AS AN ALTERNATIVE POWER SUPPLY FOR VEHICLES

The KS400/KS401 is an essential tool for all who replace automobile batteries. Most vehicles have some type of electronic component

with memory, such as alarm systems, computers, radios, phones, etc... and when the vehicle's battery is replaced, memory is lost. However, if the cigar lighter power extension cord is plugged from the KS400/KS401 into the vehicle's cigar lighter socket, the memories can be saved.

Note: Some vehicles may require the KS400/KS401 to be connected to the vehicle's OBD2 connector to save all memory functions. The **MS6209** memory saver may be purchased separately for these applications.

## MULTI PURPOSE POWER SUPPLY

The KS400/KS401 is also a portable power supply for all 12 VDC accessories equipped with a male cigar lighter plug or USB connector. The DC outlet and USB port have automatic overload protection.

To use the USB port, press and hold the Status button for 5 seconds, the display will flash "USB". To turn off the USB press and hold the Status button for another 5 seconds, the display will flash "USB OFF".

**Note: To prevent battery voltage drop ALWAYS turn off the USB port.**

For maximum battery life do not discharge below 11V.

When the KS400/KS401 is used with an inverter, it can operate appliances normally powered by 120 VAC or 220 VAC in Europe.

Recommended inverter for the KS400/KS401 is 300 watts maximum. For more information contact your nearest KS400/KS401 dealer.

## !!! IMPORTANT !!! BATTERY REMOVAL AND DISPOSAL



**Contains sealed, non-spillable lead acid battery. Must be disposed of properly.**

The battery inside this KS400/KS401 is a sealed lead-acid battery.

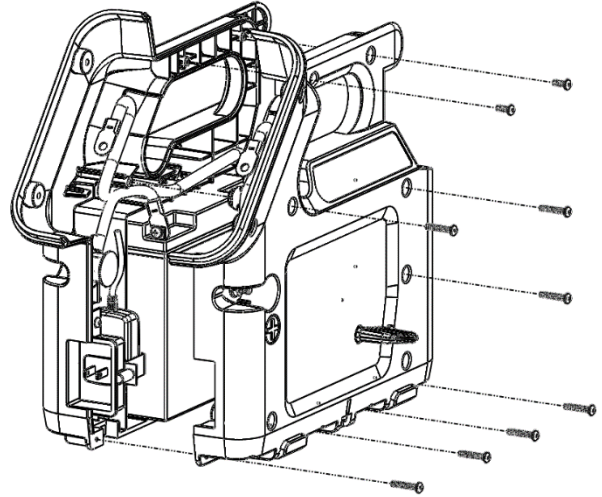
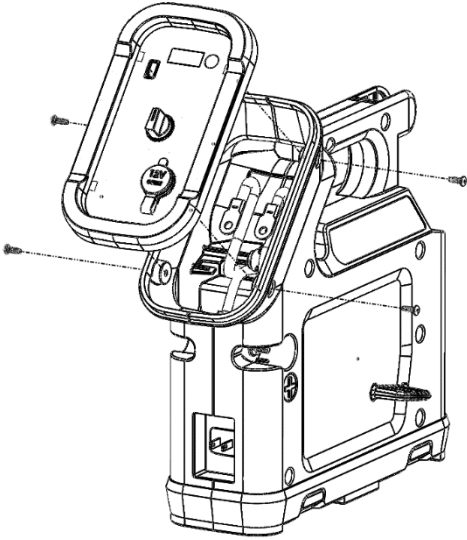
**By LAW**, it is required to be removed and recycled or disposed of properly. While there are regulations that must be followed throughout your country, your local governments may have additional regulations to be followed in your area.

When the battery in this product is in need of replacement, remove it according to the instructions provided below and take it to your local recycling center for proper recycling or disposal. If you don't have a local recycling center that handles sealed lead-acid batteries, contact your local environmental agency for instructions.

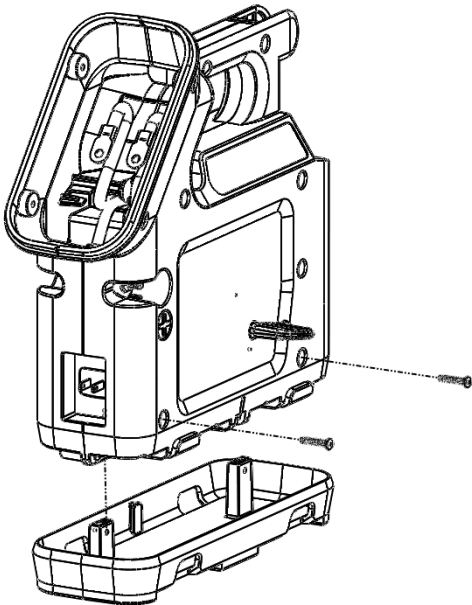
## BATTERY REMOVAL INSTRUCTIONS

Begin by making sure the unit's power switch is in the "OFF" position. You will need a T20 Torx head screwdriver and a 3/8" socket.

1. Remove (4) screws from display and pull display away from unit. Note: Wire connections do not need to be disconnected.
2. Remove (2) screws closest to the foot. Pull out the sides of foot



so it can detach from the holding notches and pull off. Note: Display not shown for clarity.



3. Remove (9) screws from positive side housing. Pull housing away and place to the side. Note: Display and Foot not shown for clarity.
4. Disconnect the cables attached to the battery. **TO PREVENT ACCIDENTAL ARCING**, be careful not to touch both battery terminals with the tools being used to remove the hardware.
5. Take battery out of the negative side housing.
6. Install new battery. Reverse above procedure to put unit back together.

## LIMITED WARRANTY

ASSOCIATED EQUIPMENT CORPORATION provides a conditional, limited warranty to the original user or consumer purchaser for the KS400/KS401, warranting it to be free from defects in material and workmanship for a period of one year from the date of sale to the original user or consumer purchaser. If your KS400/KS401 malfunctions or fails within the first 30 days of the warranty period because of a defect in material or workmanship, we may replace it. If your KS400/KS401 malfunctions or fails within the 12 month warranty period because of a defect in material or workmanship, we will repair it without charge.

**This warranty does not apply to the battery. All battery replacements will be at the sole discretion of ASSOCIATED EQUIPMENT, and subject to visual and internal inspection. Any battery replacement will be on a prorated, escalating cost basis to the purchaser, prorated monthly for a 12 month period from the date of purchase (with proof of purchase) or date of manufacturer (without proof of purchase), and increasing in 1/12th increments monthly up to the retail battery price set by the ASSOCIATED EQUIPMENT. Batteries returned with melted terminals, or subjected to overcharging or misuse, will not be covered under warranty.**

EXCEPT FOR THIS LIMITED WARRANTY, ASSOCIATED EQUIPMENT HAS NOT MADE AND SPECIFICALLY DISCLAIMS ANY WARRANTY OR REPRESENTATION OF ANY KIND, EXPRESS OR IMPLIED, DIRECT OR INDIRECT, INCLUDING BUT NOT LIMITED TO ANY IMPLIED

WARRANTY OF MERCHANTABILITY, AND ANY IMPLIED WARRANTY OF FITNESS FOR A PARTICULAR PURPOSE. THIS LIMITED, CONDITIONAL WARRANTY PROVIDES THE EXCLUSIVE REMEDY FOR ANY CLAIM OR DAMAGE EXCEPT AS OTHERWISE REQUIRED BY LAW.

This warranty excludes and does not cover defects or failures of your KS400/KS401 due to any cause other than defects in material or workmanship, including without limitation any malfunctions or failures caused by repairs made by an unauthorized person, mishandling, modifications, normal wear, unreasonable use or damage.

IN NO EVENT SHALL ASSOCIATED EQUIPMENT BE LIABLE FOR CONSEQUENTIAL OR INCIDENTAL DAMAGES. Some states do not allow the exclusion or limitation of incidental or consequential damages so the above limitations or exclusions may not apply to you. This warranty gives you specific legal rights and you may also have other rights which vary from state to state.

Any claim relating to the KS400/KS401 must be brought within one year and must be brought in Ohio. All claims shall be governed by Ohio law.

If any portion of this warranty or limitation of rights and remedies is found to be unenforceable, then the remainder of this document shall remain in full force and effect.

To Obtain Warranty & Non-Warranty Service

To obtain service:

1. Return your KS400/KS401 prepaid (all postage, transportation and freight charges to and from ASSOCIATED EQUIPMENT are the responsibility of the customer) in its original box (including the internal battery), with the original sales receipt (or other proof of purchase date). Also include your name, mailing address, name of store where the product was purchased and the daytime phone number you can be reached to:

REPAIR CENTER  
ASSOCIATED EQUIPMENT  
5043 Falin Avenue  
St. Louis, MO 63115

2. ASSOCIATED EQUIPMENT will repair your KS400/KS401. If the battery needs to be replaced, a technical service representative will call you to advise of the prorated cost of the replacement battery. ASSOCIATED EQUIPMENT will repair and return your KS400/KS401 freight prepaid if the product is covered under warranty.

## Replacement Parts

<u>Part No.</u>	<u>Description</u>
611402.....	3 Foot long DC Cables (includes Positive and Negative cables)
611403.....	7 Foot Long DC Cables (includes Positive and Negative cables)
611413.....	6 Foot long DC-DC cigar plug adapter cable
625504.....	Battery



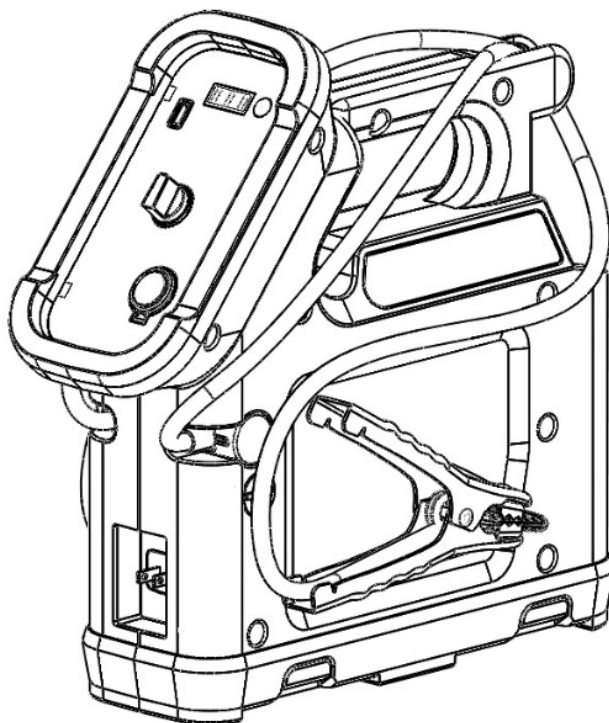
# KS400/KS401

## KwikStart ProHD

### MANUEL DE L'UTILISATEUR

#### Fonctionnalités:

- 22Ah 360/ batterie CCA
- 300 Amp acier revêtu de plastisol colliers
- Internes chargeur 12V / 600mA
- Écran LED numérique
- Heavy Duty 4AWG cuivre cables  
3FT KS400, 7FT KS401
- USB puissance de sortie
- Prise de courant 12V
- DC/DC rallonge (inclus)
- Zone de stockage pour les accessoires
- En caoutchouc de la Base de résistance au glissement et Drop Protection
- Conçue pour réparation sur le terrain



Made in USA de États-Unis et importés partie

#### Californie Proposition 65 Avertissement

**AVERTISSEMENT:** Ce produit contient des produits chimiques, dont le plomb, connu dans l'état de Californie pour provoquer des cancers et des malformations congénitales ou d'autres problèmes de reproduction.

## INSTRUCTIONS DE SÉCURITÉ IMPORTANTES

**1. CONSERVEZ CES INSTRUCTIONS** - Ce manuel contient d'importantes consignes de sécurité et d'utilisation.



**Contient scellé, non inversable batterie plomb-acide. Doivent être éliminés correctement.**

**2. AVERTISSEMENT - RISQUE DE GAZ EXPLOSIFS.**

- a. Travail à proximité d'une batterie plomb-acide est dangereux. Batteries générer gaz explosifs au cours normal de la batterie. Pour cette raison, il est de la plus haute importance que lors de l'utilisation de l'appareil, vous lisez ce manuel et en suivre les instructions exactement.
- b. Pour réduire le risque d'explosion de la batterie, suivez ces instructions et celles publiées par fabricant de la batterie et le fabricant de tout équipement que vous avez l'intention d'utiliser à proximité de la batterie. Examen garde marquage sur ces produits et sur le moteur.

**3. Précautions personnelles**

- a. Quelqu'un doit être à portée de votre voix ou assez près pour en venir à votre aide lorsque vous travaillez près d'une batterie au plomb-acide.
- b. Usure complète protection des yeux, vêtements et protection. Éviter de se toucher les yeux lorsque vous travaillez à proximité de la batterie.
- c. Beaucoup d'eau fraîche et de savon à proximité en cas de batterie contact de l'acide avec la peau, les vêtements ou les yeux.
- d. Si la batterie contact de l'acide avec la peau ou les vêtements, lavez immédiatement à l'eau et au savon. Si de l'acide pénètre dans les yeux, immédiatement rincer les yeux abondamment avec exécutant l'eau froide pendant au moins 10 minutes et consultez immédiatement un médecin.
- e. **NE JAMAIS** fumer ou permettre une étincelle ou une flamme à proximité de la batterie ou le moteur.
- f. Être très prudent afin de réduire le risque de chute d'un outil métallique sur la batterie. Il peut déclencher ou court-circuit batterie ou autre partie électrique que peut provoquer une explosion.
- g. Retirer les objets métalliques, tels que des bagues, bracelets, colliers, montres et lors du travail avec une batterie au plomb-acide. Une batterie au plomb-acide peut produire un courant de court-circuit assez haute pour souder un anneau ou la comme en métal, provoquant de graves brûlures.
- h. Utilisez cette unité pour la charge ou la promotion d'une batterie au plomb-acide uniquement. Ne pas utiliser pour la recharge les batteries sèches qui sont couramment utilisées avec les appareils électroménagers. Ces piles peuvent éclater et provoquer des blessures aux personnes et les dommages à la propriété.
- i. Ne jamais charger une batterie gelée.
- j. **NE JAMAIS** laisser les colliers pour toucher ensemble ou contacter le même morceau de métal pour éviter la formation d'arcs.

**4. INSTRUCTIONS DE SÉCURITÉ  
IMPORTANTES**

- a. Utilisation d'un accessoire non recommandé ou vendus par le fabricant peut entraîner un risque d'incendie, d'électrocution ou de blessure pour les personnes et/ou de la propriété.
- b. Lorsque vous utilisez des cordons d'alimentation CA ou CC de rallonges, tirez sur la fiche et **JAMAIS SUR LE FIL** lors de la déconnexion.

- c. Ne pas recharger la batterie avec un chargeur endommagé ou extension de cordon. Remplacez-les immédiatement.
- d. L'unité peut être utilisée en toutes conditions météorologiques. La pluie, la neige, chaud ou froid.
- e. Ne pas immerger dans l'eau.
- f. Ne pas faire fonctionner avec les produits inflammables tels que l'essence etc...
- g. Si l'unité reçoit un coup brusque ou est endommagée, de toute façon, faites-le vérifier par un technicien qualifié. Si l'unité est une fuite acide de batterie ne sont pas livrés. Prendre à la batterie plus proche de recyclage dans votre région.
- h. Ne pas démonter l'unité. Faites-le vérifier par un technicien qualifié.
- i. Pour éviter les chocs et les risques d'étincelle à pinces, placez **TOUJOURS** l'interrupteur en position OFF lorsque le KS400/KS401 est pas utilisé.

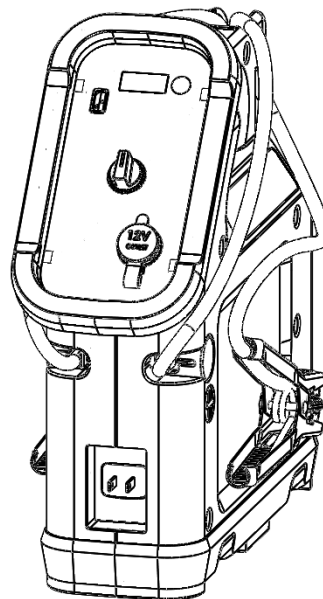
L'unité ne doit jamais être laissé dans un total état déchargé pour toute période de temps. Dommages à la batterie pourrait être permanente avec de mauvaises performances en conséquence. Lorsque vous ne l'utilisez pas, laissez l'unité chargeur interne connecté à l'alimentation CA ou recharger tous les six (6) mois.

### PROCÉDURES DE RECHARGE

Lorsque de nouveaux, votre KS400/KS401 devraient être facturés pour un minimum de 30 heures, sauf si l'état de l'unité est en bon état. (Voir la figure 2)

AFFICHAGE	DE L'ÉTAT
Voltage → Gd.9	Unité de bonne condition
Voltage → Gd.8	
Voltage → Gd.7	
Voltage → ch.6	Unité de charge bientôt
Voltage → ch.5	
Voltage → ch.4	
Voltage → lo.3	Unité de charge immédiatement
Voltage → lo.2	

La Figure 2. Bouton de Test, charge, niveau de puissance et chargée de LED



REMARQUE: Il existe deux manières de recharger la KS400/KS401. La première méthode est automatique de charge avec le chargeur interne (de préférence). La deuxième, c'est à travers le port d'alimentation CC à travers le CC extension de cordon. La deuxième méthode n'est pas automatique et exige regardant, car le KS400/KS401 pourrait être endommagé en raison de la surcharge.

**1. Utilisez le chargeur interne:** Le KS400/KS401 est automatiquement facturé lorsque vous utilisez le chargeur interne. Un mâle à deux broches mâle sur l'avant du KS400/KS401 est connecté via un circuit smart board au KS400/KS401 de recharge automatique. La surcharge ne pose pas de problème lorsque vous utilisez le chargeur interne et le KS400/KS401 chargeur interne peut être connecté à une source d'alimentation CA indéfiniment.

- Brancher le cordon d'alimentation cordon d'extension sur le KS400/KS401 la fiche mâle. (Voir la figure 3)
- Branchez l'adaptateur c. a. extension de cordon dans un correctement câblé prise c. a. ( l'affichage s'allume lorsque la tension de charge et le grade du gavage).
- Permettre le KS400/KS401 à charge jusqu'à ce que l'état de charge est Gd.9. Vérifier en appuyant sur le bouton d'état.
- Une fois que l'unité est un Gd.9 l'état de charge, l'unité de trois à six heures, (trois heures est acceptable, mais pour assurer le maximum de sortie capacité, six heures est préférable).
- Si vous n'avez pas besoin de l'KS400/KS401 immédiatement vous pouvez laisser le KS400/KS401 chargeur interne connecté à la source d'alimentation CA. Nous recommandons que le KS400/KS401 chargeur interne reste connecté à une source d'alimentation en CA à chaque fois que le KS400/KS401 est pas en cours d'utilisation.

**2. UTILISATION DU DC EXTENSION DE CORDON.** Branchez une extrémité du DC extension de cordon dans le KS400/KS401 la prise d'alimentation et l'autre extrémité dans un véhicule la prise de l'allume-cigares (le moteur du véhicule doit être exécuté en premier). Pousser le bouton de test une fois toutes les heures pour vérifier l'état de l'unité en appuyant sur le bouton d'état" ne surcharge pas! Ce n'est pas une méthode automatique de la charge de la KS400/KS401. Vous devez fréquemment surveiller le processus de charge afin d'assurer la KS400/KS401 n'est pas surchargé. Surcharge endommagera votre KS400/KS401.

Remarque: bouton d'état doit être enfoncé pour contrôler niveau de puissance.

## INSTRUCTIONS DE FONCTIONNEMENT

### UTILISÉ COMME UN CHARGEUR DE BATTERIE

Le KS400/KS401 est destiné, en premier lieu, à être utilisé pour démarrer ou redémarrer le véhicule lorsque la batterie du véhicule est devenu délabré au point qu'il ne permet pas le démarrage du véhicule sans assistance. Toutefois, le KS400/KS401 peut également être utilisé pour restaurer une certaine charge de la batterie du véhicule.

1. Branchez l'alimentation CC rallonge du KS400/KS401 dans le véhicule de prise d'allume-cigares pour 30 minutes.

REMARQUE: Certains véhicule les clés de contact doit être tournée en accessoire pour activer la prise allume-cigare.

2. Retirez l'alimentation DC rallonge et démarrer la voiture.

REMARQUE: Une batterie défectueuse peut refuser d'accepter une charge du KS400/KS401.

### UTILISÉ COMME UN SAUT D'URGENCE DU DÉMARREUR

REMARQUE : Pour des performances optimales, ne pas la conserver au-dessous de 50°C lors de l'utilisation comme un saut du démarreur.

- Couper le contact avant d'effectuer des connexions de câble.
- Utiliser dans un endroit bien aéré.
- Protéger les yeux.
- La pince positive (rouge ) le collier sur la borne positive de la batterie faible (pour système à masse négative).
- Le collier du négatif (noir -) le collier sur le châssis du véhicule (masse). Assurez-vous que les câbles ne sont pas dans le chemin d'accès de déplacement ou les courroies du ventilateur.

REMARQUES:

- Si les câbles sont connectés en marche arrière, 888→REV clignote sur l'affichage.
  - Lorsque les câbles sont connectés et le commutateur de l'unité est en position OFF, l'affichage clignote "888→SW→ON→Vcc" (tension de la batterie du véhicule est affiché).
6. Mettez l'appareil en position "marche". L'affichage clignote "888→SW→ON→Vcc".
7. Rester à l'écart des batteries pendant le démarrage avec une batterie.
8. Démarrer le véhicule (allumer le contact du véhicule).

REMARQUE : Si le véhicule ne démarre pas dans les 6 secondes, laissez le KS400/KS401 batterie interne refroidir pendant 3 minutes avant d'essayer de démarrer à nouveau le véhicule ou endommager le KS400/KS401 peut se produire.

9. Lorsque le véhicule est démarré, mettez l'unité commutateur en position "ARRÊT" et débrancher la borne négative ( -) de la batterie du châssis du véhicule.
10. Débrancher le positif ( ) le collier.

### UTILISÉ COMME UN AUTRE BLOC D'ALIMENTATION POUR LES VÉHICULES

Le KS400/KS401 est un outil essentiel pour tous ceux qui remplacer batteries d'automobiles. La plupart des véhicules possèdent un certain type de composant électronique avec de la mémoire, tels que des systèmes d'alarme, ordinateurs, radios, téléphones, etc... et quand la batterie du véhicule est remplacée, la mémoire est perdue. Toutefois, si l'alimentation de l'allume-cigare cordon d'extension est branché du KS400/KS401 dans le véhicule la prise allume-cigare, les souvenirs peuvent être enregistrées.

Remarque: Sur certains véhicules, il peut exiger le KS400/KS401 pour être connecté au véhicule OBD2 connecteur pour enregistrer toutes les fonctions de la mémoire. Le **MS6209** mémoire de veille peut être acheté séparément pour ces applications.

### MULTI-USAGE ALIMENTATION

Le KS400/KS401 est également une alimentation portable pour tous 12 VCC accessoires équipés d'un mâle prise allume-cigare ou le connecteur USB. La sortie CC et port USB automatique ont protection de surcharge.

Pour utiliser le port USB, appuyez et maintenez enfoncé le bouton d'état enfoncé pendant 5 secondes, l'affichage se met à clignoter "USB". Pour désactiver l'USB appuyez et maintenez enfoncé le bouton d'état pour un autre 5 secondes, l'affichage se met à clignoter "USB".

**Remarque: Pour éviter la tension de batterie chute TOUJOURS éteindre le port USB.**

Pour une autonomie maximale de la batterie ne décharge pas en-dessous de 11 V.



Lorsque le KS400/KS401 est utilisé avec un inverseur, il peut fonctionner les appareils normalement alimenté en 120 VCA ou 220 VCA en Europe.  
 Convertisseur recommandé pour le KS400/KS401 est de 300 watts maximum. Pour plus d'informations contactez votre concessionnaire KS400/KS401.

**!!! IMPORTANT !!!**  
**DÉPOSE DE LA BATTERIE ET L'ÉLIMINATION**



**Contient scellé, non inversable batterie plomb-acide. Doivent être éliminés correctement.**

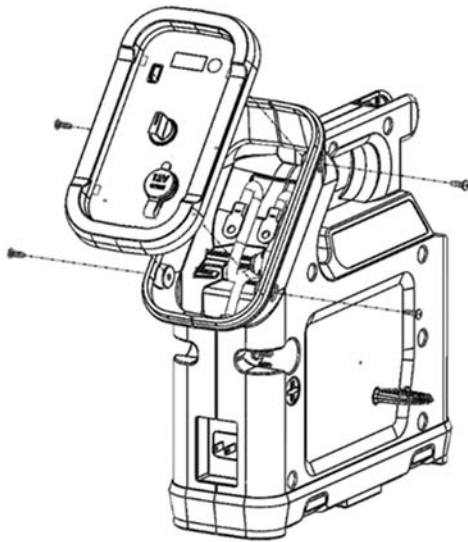
La batterie à l'intérieur KS400/KS401 est scellée une batterie au plomb-acide. En vertu de la loi, il est nécessaire d'être retirée et recyclés ou éliminés correctement. Alors qu'il y a des règlements qui doivent être suivis tout au long de votre pays, vos gouvernements locaux peuvent avoir règlements supplémentaires pour être suivie dans votre région.

Lorsque la batterie de ce produit est dans le besoin d'un remplacement, déposer-la conformément aux instructions fournies ci-dessous et prenez-le à votre centre de recyclage local de recyclage approprié ou l'élimination. Si vous ne disposez pas d'un centre de recyclage local qui gère les scellés les batteries plomb-acide, contactez votre agence pour la protection de l'environnement pour obtenir des instructions.

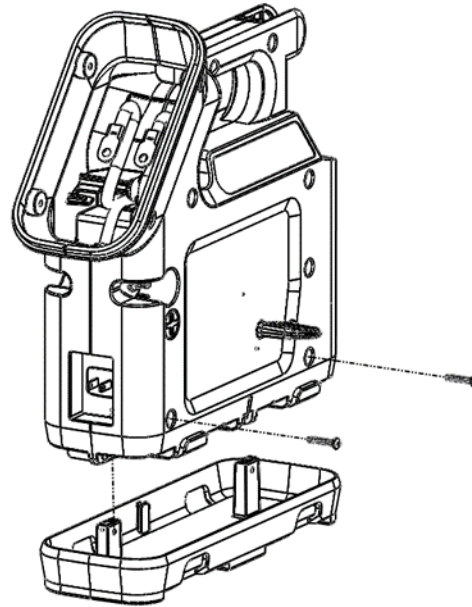
**DÉPOSE DE LA BATTERIE INSTRUCTIONS**

Commencer par s'assurer que l'unité d'alimentation du commutateur est en position "OFF". Vous aurez besoin d'un tournevis Torx T20 tête tournevis et d'une douille de 3/8".

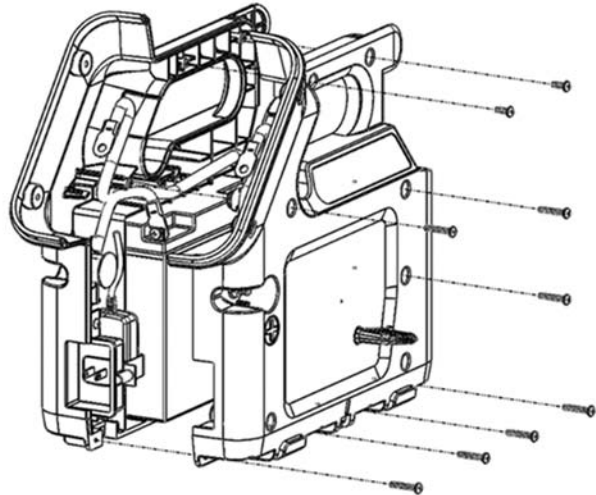
1. Déposer les (4) vis de l'écran et tirez l'opposé de l'unité.  
 Remarque: connexions de fils n'ont pas besoin d'être déconnecté.



2. Retirez (2) vis plus proche du pied. Tirez sur les côtés du pied pour qu'il puisse détacher de la holding les encoches et tirez.  
 Remarque: L'affichage n'est pas illustré pour plus de clarté.



3. Retirez (9) vis du côté positif du logement. Tirer sur le logement et placez-le sur le côté. Remarque: l'affichage et pied non illustré pour plus de clarté.



4. Déconnectez les câbles reliés à la batterie. Pour empêcher la saisie accidentelle d'arcs électriques, veillez à ne pas toucher les deux bornes de la batterie avec les outils utilisé pour la dépose de la boulonnerie.
5. Tenir la batterie hors du côté négatif du logement.
6. Installer la nouvelle batterie. Inverser la procédure ci-dessus pour mettre l'unité arrière ensemble.

## GARANTIE LIMITÉE

ASSOCIATED EQUIPMENT CORPORATION fournit un conditionnel, garantie limitée de l'utilisateur d'origine ou acheteur pour le KS400/KS401, justifie qu'il est exempt de vices de matériau et de fabrication pour une période d'un an à compter de la date de la vente à l'utilisateur original ou acheteur. Si votre KS400/KS401 dysfonctionnements ou échoue dans les 30 premiers jours de la période de garantie en raison d'un défaut de matériau ou de fabrication, nous pourrions le remplacer. Si votre KS400/KS401 dysfonctionnements ou échoue dans les 12 mois période de garantie en raison d'un défaut de matériau ou de fabrication, nous allons réparer sans frais.

**Cette garantie ne s'applique pas à la batterie. Tous les remplacements de batterie sera à la discrétion des ASSOCIATED EQUIPMENT, et sous réserve de visual et inspection interne. Tout remplacement de la batterie sera calculée au prorata, escalade du coût base à l'acheteur, au prorata mensuel pour une période de 12 mois de la date d'achat (preuve d'achat) ou date du constructeur (sans preuve d'achat), et une augmentation de 1/ 12e mensuel par incréments jusqu'à la vente au détail batterie prix fixé par ASSOCIATED EQUIPMENT. Retour Batteries avec fondu les bornes, ou soumis à une charge excessive ou abusive, ne sera pas couvert par la garantie.**

SAUF POUR CETTE GARANTIE LIMITÉE, les ASSOCIATED EQUIPMENT N'A PAS FAITE ET REJETTE EN PARTICULIER TOUTE GARANTIE OU REPRÉSENTATION, EXPRESSE OU IMPLICITE, DE QUELQUE SORTE, DIRECTS OU INDIRECTS, Y COMPRIS, MAIS SANS S'Y LIMITER, TOUTE GARANTIE IMPLICITE DE QUALITÉ MARCHANDE, ET TOUTE GARANTIE IMPLICITE D'ADÉQUATION À UN USAGE PARTICULIER. CETTE limité et conditionnel LA GARANTIE prévoit LE RECOURS EXCLUSIF POUR TOUTE RÉCLAMATION OU DOMMAGE SAUF DANS LES CAS REQUIS PAR LA LOI.

Cette garantie exclut et ne couvre pas les défauts ou les défaillances de votre KS400/KS401 dus à des causes autres que les défauts de matériau ou de fabrication, y compris, sans limitation, des dysfonctionnements ou des défaillances causées par les réparations effectuées par une personne non autorisée, d'une mauvaise manipulation, des modifications, de l'usure normale, usage abusif ou de dommages.

EN AUCUN CAS, ASSOCIATED EQUIPMENT NE SAURAIT ÊTRE TENU RESPONSABLE DE DOMMAGES INDIRECTS OU ACCESSOIRES. Certains états n'autorisent pas l'exclusion ou la limitation des dommages fortuits ou indirects de sorte que les limitations ou exclusions ci-dessus peuvent ne pas s'appliquer à vous. Cette garantie vous donne des droits juridiques spécifiques et

vous pouvez également avoir d'autres droits qui varient d'un état à l'autre.

Toute réclamation relative aux KS400/KS401 doit être intentée dans un délai d'un an et doivent être traduits dans le Ohio. Toutes les réclamations doivent être régies par loi du Ohio.

Si une partie quelconque de cette garantie ou de la limitation des droits et recours s'avère inapplicable, alors le reste de ce document resteront en vigueur et de plein effet.

Pour obtenir la garantie & Non-Warranty Repair Service NE PAS

Pour obtenir le service:

1 Retour votre KS400/KS401 prépayé (tous les affranchissements, transport et frais de transport et ASSOCIATED EQUIPMENT sont la responsabilité du client) dans sa boîte d'origine (y compris la batterie interne), avec l'original de la facture (ou toute autre preuve de la date d'achat). Également inclure votre nom, adresse postale, nom du magasin où vous avez acheté le produit et le numéro de téléphone de jour vous pouvez être atteint.

REPAIR CENTER  
ASSOCIATED EQUIPMENT  
5043 Farlin Avenue  
St. Louis, MO 63115

2. ASSOCIATED EQUIPMENT va réparer votre KS400/KS401. Si la batterie doit être remplacée, un représentant du service technique va vous appeler afin de l'informer du coût au prorata de la batterie de rechange. ASSOCIATED EQUIPMENT va réparer et retourner votre KS400/KS401 fret payé si le produit est couvert par la garantie.

## Pièces de rechange

<u>Numéro de pièce</u>	<u>Description</u>
611402 .....	Câbles 3 pieds de long de DC (y compris les câbles positifs et négatifs)
611403 .....	Câbles 7 pieds de long (DC comprend positifs et négatifs câbles)
611413 .....	Câble adaptateur long bouchon de cigare DC-DC 6 Foot
625504 .....	Batterie



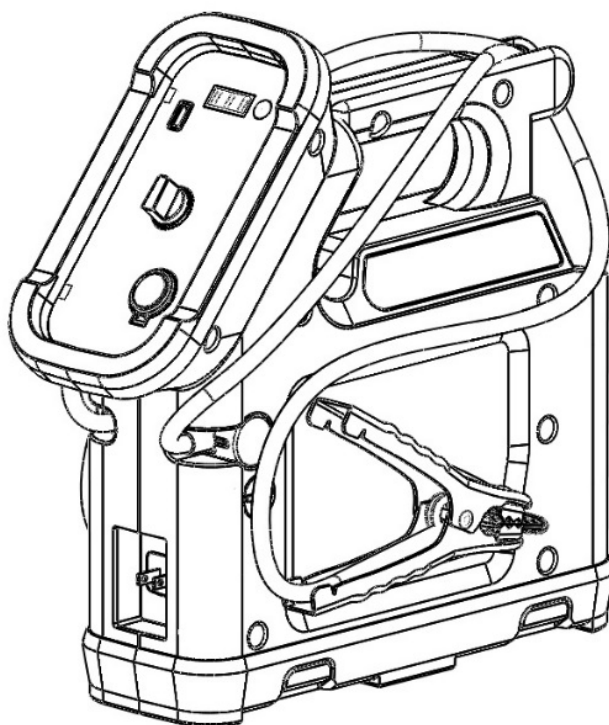
# KS400/KS401

## KwikStart ProHD

### MANUAL DEL USUARIO

#### CARACTERÍSTICAS:

- 22Ah/ 360CCA Batería
- 300 Amp plastisol recubierto de Acero  
Abrazaderas
- Cargador interno 12V/ 600mA
- Pantalla LED Digital
- Uso Intensivo 4 AWG de cobre Cables  
3FT KS400, 7FT KS401
- Potencia de salida USB
- 12V del zócalo de energía
- DC a DC toma extensión de cable (incluido)
- Área de Almacenamiento de accesorios
- Base de goma antideslizante y de  
protección contra caídas
- Diseñado para la reparación de campo



Hecho en EE.UU. de Estados Unidos y partes importadas

#### Proposición 65 de California Advertencia

**ADVERTENCIA:** Este producto contiene sustancias químicas, incluyendo plomo, conocido en el Estado de California como causante de cáncer, defectos de nacimiento u otros daños reproductivos.

## INSTRUCCIONES DE SEGURIDAD IMPORTANTES

1. **GUARDE ESTAS INSTRUCCIONES:** Este manual contiene importantes instrucciones de seguridad y operación.



**Contiene sellado, no derramables batería de plomo ácido. Se deben desechar de manera adecuada.**

2. **ADVERTENCIA - RIESGO DE GASES EXPLOSIVOS.**

- Trabaje en la proximidad de una batería de plomo-ácido es peligroso. Las baterías generan gases explosivos durante el funcionamiento de la batería. Por esta razón, es de suma importancia que al utilizar la unidad, lea este manual y siga las instrucciones al pie de la letra.
- Para reducir el riesgo de explosión de la batería, siga estas instrucciones y las publicadas por fabricante de la batería y el fabricante de cualquier equipo que va a utilizar en las proximidades de la batería. Examen preventivo identificación de estos productos y en el motor.

3. **PRECAUCIONES PERSONALES**

- Alguien debe estar dentro del alcance de su voz o lo suficientemente cerca para venir en su ayuda cuando se trabaja cerca de una batería de plomo-ácido.
- Desgaste completa protección para los ojos y la ropa. Evite tocar los ojos mientras trabaja cerca de la batería.
- Tienen un montón de agua fresca y jabón cerca en caso de que la batería cae ácido en la piel, la ropa o los ojos.
- Ácido de batería si hace contacto con la piel o la ropa, lavar inmediatamente con agua y jabón. Si el ácido entra en los ojos, lávese los ojos inmediatamente con agua fría durante al menos 10 minutos y busque atención médica inmediatamente.
- NUNCA fume o permita que una chispa o llama en las inmediaciones de la batería o el motor.
- Ser más prudente para reducir el riesgo de que se caiga una herramienta de metal en la batería. Que puede ser el detonante o cortocircuito de la batería eléctrica o cualquier otro artículo que podría causar una explosión.
- Eliminar personal elementos metálicos, tales como anillos, pulseras, collares y relojes cuando se trabaja con una batería de plomo-ácido. Una batería de plomo-ácido puede producir una corriente de corto circuito lo suficientemente alto como para soldar un anillo o similares al metal, causando una quemadura grave.
- Utilice esta unidad de carga o impulsar una batería de plomo-ácido. No lo use para cargar baterías de pila seca que se utilizan comúnmente con los electrodomésticos. Estas baterías pueden estallar y causar lesiones a las personas y daños a la propiedad.
- NUNCA cargue una batería congelada.
- NO permita que las abrazaderas para tocar juntos o póngase en contacto con el mismo trozo de metal para evitar la formación de arcos.

4. **INSTRUCCIONES DE SEGURIDAD IMPORTANTES**

- Uso de un accesorio no recomendado o vendido por el fabricante puede causar un riesgo de incendio, choque eléctrico o lesiones a las personas y/o bienes.
- Cuando se utiliza la alimentación de CA o CC cables de extensión, tire del enchufe y no DEL CABLE cuando se realice la desconexión.
- No recargarla con un cargador o cable de extensión de alimentación. Sustituir inmediatamente.

- La unidad se puede utilizar en cualquier condición climática. Lluvia, nieve, calor, frío o.
- No sumerja en el agua.
- No opere con productos inflamables como la gasolina etc...
- Si la unidad recibe un golpe fuerte o, de lo contrario, está dañada, en cualquier forma, se debe verificar por personal de servicio cualificado. Si la unidad está goteando ácido de batería no envíe. En el reciclaje de la batería más cercana en su área.
- No desmontar la unidad. Se debe verificar por personal de servicio cualificado.
- Para evitar el choque y el peligro chispa en abrazaderas, SIEMPRE coloque el interruptor en la posición OFF cuando el KS400/KS401 no está en uso.

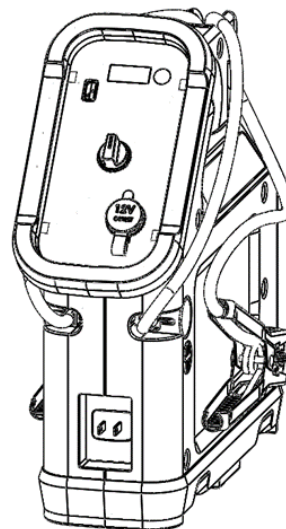
La unidad nunca deben dejarse en un total estado de descarga para cualquier período de tiempo. Daños a la batería podría ser permanente con un pobre rendimiento como resultado. Cuando no esté en uso, deje la unidad interna del cargador conectado a la alimentación de CA o recargar cada seis (6) meses.

## PROCEDIMIENTOS RECARGA

Cuando es nuevo, su KS400/KS401 debe ser cargado por un mínimo de 30 horas, a menos que el estado de la unidad está en buen estado. (Consulte la figura 2)

Visualización	Estado
Voltage → glicoproteína 9	Unidad en buenas condiciones
Voltage → glicoproteína 8	
Voltage → glicoproteína 7	
Voltage → capítulo 6	Unidad de Carga Pronto
Voltage → capítulo 5	
Voltage → capítulo 4	
Voltage → lo.3	Unidad de Carga inmediatamente
Voltage → lo.2	

La Figura 2. Botón de prueba, carga, nivel de potencia y LED de carga



NOTA: Hay dos formas de recargar la KS400/KS401. El primer método es automático de carga con el cargador interno (preferido). La segunda es a través del puerto de alimentación de CC a través de la alimentación de CC cable de extensión. El segundo método no es

automático, sino que exige mirar porque el KS400/KS401 podría resultar dañado debido a la sobrecarga.

- 1. Usando el Cargador interno:** El KS400/KS401 se carga automáticamente cuando se utiliza el cargador interno. UN enchufe macho de dos polos en la parte frontal de la KS400/KS401 está conectado a través de un circuito inteligente junta a la KS400/KS401 haciendo las tareas de recarga automática. La sobrecarga no es un problema cuando se usa el cargador interno y el KS400/KS401 cargador interno puede dejarse conectada a una fuente de alimentación de CA indefinidamente.
  - a. Conectar el cable de alimentación de CA cable de extensión en el extremo macho del KS400/KS401. (Consulte la figura 3).
  - b. Conecte el cable de extensión de alimentación de CA correctamente conectado a una toma de CA (la pantalla se ilumina con la tensión de carga y el grado de carga).
  - c. Permitir que el KS400/KS401 cargue hasta que el estado de carga es Gd.9. Verificar pulsando el botón estado.
  - d. Una vez que la unidad tiene una glicoproteína9 status, cargue la unidad de tres a seis horas (tres horas es aceptable, pero para asegurar la máxima capacidad de salida, seis horas es preferible).
  - e. Si usted no va a necesitar la KS400/KS401 enseguida podrá dejar el cargador interno de KS400/KS401 conectado a la fuente de alimentación de CA. Recomendamos que el cargador interno de KS400/KS401 permanecer conectado a una fuente de alimentación de CA cuando el KS400/KS401 no está en uso.

- 2. CON EL CABLE DE EXTENSIÓN DE ALIMENTACIÓN DE CC.** Conecte un extremo del cable de extensión de alimentación de CC en el enchufe de alimentación del KS400/KS401 y el otro extremo en una toma del encendedor del vehículo (el motor del vehículo se debe ejecutar en primer lugar). Pulse el botón de prueba una vez cada hora para comprobar el estado de la unidad presionando el botón "Estado" NO SOBRECARGUE! Este no es un método automático de carga de la KS400/KS401. Usted debe con frecuencia supervisar el proceso de carga para garantizar la KS400/KS401 no está sobrecargado. La sobrecarga dañar su KS400/KS401.

Nota: botón de estado hay que pulsar para comprobar nivel de potencia.

## INSTRUCCIONES DE FUNCIONAMIENTO

### UTILIZADO COMO UN CARGADOR DE BATERÍA

La KS400/KS401 se destina, principalmente, que se utiliza para iniciar o reiniciar un vehículo cuando la batería en el vehículo se ha convertido en ejecutar hasta el punto que no pondrá en marcha el vehículo sin ayuda. Sin embargo, el KS400/KS401 también se puede utilizar para restaurar una carga a la batería del vehículo.

1. Conecte el cable de extensión de alimentación de CC de la KS400/KS401 en el vehículo de salida del encendedor de cigarrillos durante 30 minutos.

NOTA: Algunas de las llaves de encendido debe ser girado a accesorio para activar la toma del encendedor.

2. Retirar el cable de extensión de alimentación de CC y arrancar el coche.

NOTA: una batería defectuosa puede negarse a aceptar un cargo en el KS400/KS401.

### UTILIZADO COMO UNA SITUACIÓN DE EMERGENCIA SALTAR DE ARRANQUE

NOTA: Para obtener un rendimiento óptimo, no almacenar por debajo de 50 °F cuando se usa como un salto de arranque.

1. Gire el encendido a la posición de apagado antes de hacer las conexiones de los cables.
  2. Uso en un área bien ventilada.
  3. PROTEGER LOS OJOS.
  4. El cierre positivo (rojo) abrazadera en el terminal positivo de la batería descargada (para sistema de conexión a tierra negativo).
  5. El cierre negativo (negro -) la abrazadera en el bastidor del vehículo (tierra). Asegúrese de que los cables no estén en la trayectoria de mover las correas o el ventilador.
- NOTAS:
- a. Si los cables están conectados en el orden inverso, 888→REV parpadeará en la pantalla.
  - b. Cuando los cables están conectados y el interruptor de la unidad se encuentra en la posición OFF, la pantalla parpadeará "888→SW→EN→Vdc" (se muestra el voltaje de la batería del vehículo).
6. Apague la unidad de contacto a la posición "ON". Pantalla parpadeará "888→SW→ON→Vdc".
  7. Manténgase alejado de las baterías mientras que arranque.
  8. Arrancar el vehículo (encender el contacto del vehículo).

NOTA: Si el vehículo no arranca en 6 segundos, deje que el KS400/KS401 batería interna enfríe durante 3 minutos antes de intentar arrancar de nuevo el vehículo o daños al KS400/KS401 puede ocurrir.

9. Cuando se arranca el vehículo, apague la unidad de contacto en la posición "OFF" y desconecte el negativo ( -) de la batería del bastidor del vehículo.
10. Desconectar el positivo ( ) la abrazadera.

### UTILIZADO COMO UNA FUENTE DE ALIMENTACIÓN ALTERNATIVA PARA VEHÍCULOS

La KS400/KS401 es una herramienta esencial para todos los que sustituya las baterías para automóviles. La mayoría de los vehículos tienen algún tipo de componente electrónico con memoria, tales como sistemas de alarma, ordenadores, radios, teléfonos, etc... y cuando la batería del vehículo se sustituye, la memoria se pierde. Sin embargo, si la alimentación del encendedor de cigarrillos cable de extensión está conectado desde el KS400/KS401 en el vehículo la toma del encendedor, los recuerdos pueden ser salvos.

Nota: Algunos vehículos pueden requerir la KS400/KS401 a estar conectado al vehículo del conector OBD2 para guardar todas las funciones de la memoria. El MS6209 ahorro de memoria se pueden adquirir por separado para estas aplicaciones.

### FUENTE DE ALIMENTACIÓN UNIVERSAL

La KS400/KS401 es también una fuente de alimentación portátil para todos 12 VDC accesorios equipados con un macho enchufe para encendedor o conector USB. La DC y el puerto USB salida automática protección de sobrecarga.

Para utilizar el puerto USB, pulse y mantenga pulsado el botón de estado durante 5 segundos, la pantalla parpadeará "USB". Para desactivar el USB pulse y mantenga pulsado el botón de estado durante 5 segundos, en la pantalla parpadeará "USB".

**Nota: Para evitar la caída de tensión de la batería SIEMPRE desactivar el puerto USB.**

Para obtener la máxima vida útil de la batería no descarga inferior a 11V.

Cuando el KS400/KS401 se utiliza con un inversor, que puede funcionar normalmente los aparatos alimentados por 120 VAC o 220 VAC en Europa.



Recomendado para el inversor KS400/KS401 es de 300 vatios máximo. Para obtener más información, póngase en contacto con su distribuidor más cercano KS400/KS401.

### !!! IMPORTANTE !!!

## EXTRACCIÓN DE LA BATERÍA Y ELIMINACIÓN contiene



sellado, no derramables batería de plomo ácido. Se deben desechar de manera adecuada

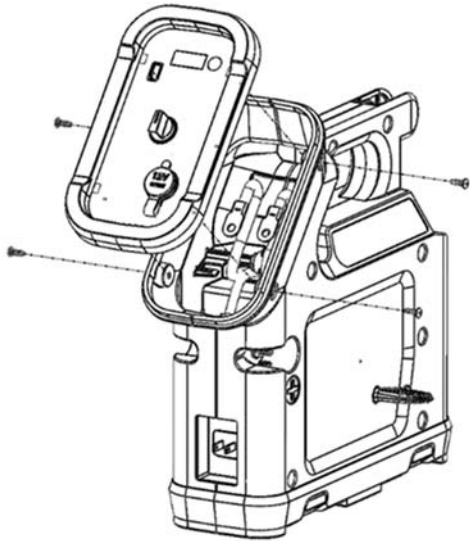
La batería de este KS400/KS401 es una batería de plomo sellada. **Por la ley**, es necesario que se va a extraer y reciclar o desechar de manera adecuada. Si bien existen normas que se deben seguir en todo el país, el gobierno local puede tener reglas adicionales que se han de seguir en su área.

Cuando la batería de este producto se encuentra en necesidad de la sustitución, extraer, en función de las instrucciones que se indican a continuación y llévelo a su centro de reciclaje local para un correcto reciclado o eliminación. Si no tiene un centro de reciclaje local que se encarga de ácido de plomo selladas baterías, póngase en contacto con su agencia local de protección del ambiente para obtener instrucciones.

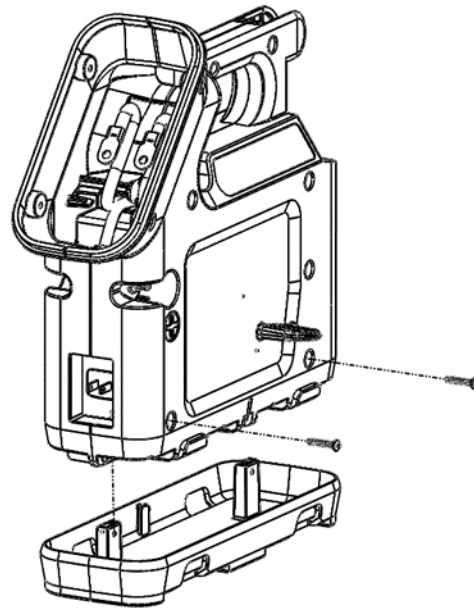
### INSTRUCCIONES PARA LA EXTRACCIÓN DE LA BATERÍA

Comenzar por asegurarse de que el interruptor de alimentación de la unidad se encuentra en la posición "OFF". Usted necesitará una cabeza Torx T20 un destornillador y una llave de 3/8 ".

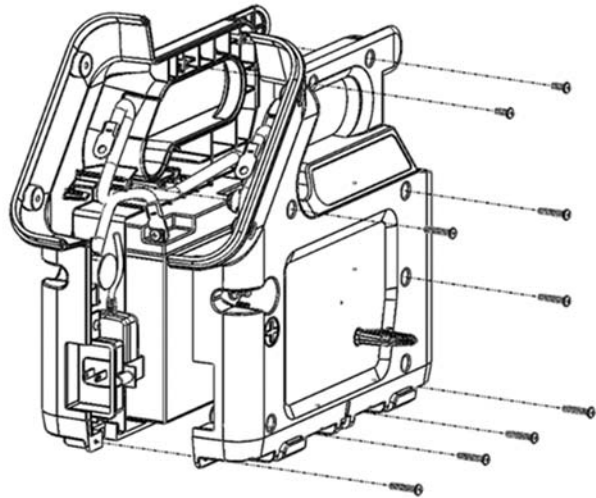
1. Quitar (4) los tornillos de la pantalla de visualización y tire de la unidad. Nota: las conexiones de los cables no deben desconectarse.



2. Saque los (2) tornillos más cercana a los pies. Tire de los lados del pie, por lo que se puede separar de la celebración las muescas y tirar. Nota: La pantalla no se muestra para mayor claridad.



3. Quitar (9) tornillos de caja positivo. Saque la caja y poner a un lado. Nota: la pantalla y el pie no se muestra para mayor claridad.



4. Desconecte los cables conectados a la batería. PARA EVITAR ARCOS ELÉCTRICOS ACCIDENTALES, debe tener cuidado de no tocar los terminales de la batería con las herramientas que se utilizan para extraer el hardware.
5. Tomar la batería de la parte negativa.
6. Instalar una batería nueva. Invierta el procedimiento anterior para volver a poner la unidad.

## GARANTÍA LIMITADA

ASSOCIATED EQUIPMENT CORPORATION proporciona una condicional, garantía limitada al usuario original o para el comprador KS400/KS401, justifica de estar libre de defectos en material y mano de obra durante un período de un año a partir de la fecha de la venta al usuario original o comprador consumidor. Si la avería o falla KS400/KS401 dentro de los primeros 30 días del período de garantía debido a un defecto en los materiales o mano de obra, podemos cambiarlo. Si su KS400/KS401 anomalías o no dentro del período de garantía de 12 meses debido a un defecto en los materiales o mano de obra, nos llevarán a cabo la reparación sin cargo alguno.

Esta garantía no se aplica a la batería. Los reemplazos de baterías será en la discreción única del ASSOCIATED EQUIPMENT, y están sujetos a inspección visual e interna. Cualquier sustitución de la batería se hace de forma proporcional, crecientes costos para el comprador, mensual prorrateado por un período de 12 meses desde la fecha de la compra (con comprobante de compra) o la fecha del fabricante (sin prueba de compra), y el aumento en escala 1/12 de incrementos mensuales de la batería a la venta al por menor precio establecido por el equipo asociado Corporation. Las baterías devueltas con terminales, o sometido a sobrecarga o uso indebido, no estará cubierto por la garantía.

CON EXCEPCIÓN DE ESTA GARANTÍA LIMITADA, LOS ASSOCIATED EQUIPMENT NO HA HECHO Y RECHAZA EXPRESAMENTE CUALQUIER GARANTÍA O REPRESENTACIÓN DE NINGÚN TIPO, EXPRESA O IMPLÍCITA, DIRECTA O INDIRECTA, INCLUYENDO PERO NO LIMITADO A CUALQUIER IMPLÍCITA GARANTÍA DE CALIDAD Y LAS GARANTÍAS IMPLÍCITAS DE IDONEIDAD PARA UN PROPÓSITO PARTICULAR. ESTE LIMITADO y CONDICIONAL DE GARANTÍA LE BRINDA LA SOLUCIÓN EXCLUSIVA PARA CUALQUIER RECLAMACIÓN O DAÑO SALVO QUE SE ESPECIFIQUE LO CONTRARIO REQUERIDO POR LA LEY.

Esta garantía excluye y no cubre defectos o fallos de su KS400/KS401 debido a cualquier causa distinta de defectos en los materiales o mano de obra, incluyendo sin limitación, cualquier mal funcionamiento o las fallas causadas por las reparaciones hechas por una persona no autorizada, a los malos manejos, las modificaciones, el desgaste normal, uso irracional o daños.

EN NINGÚN CASO LOS ASSOCIATED EQUIPMENT SERÁ RESPONSABLE DE DAÑOS CONSECUENCIALES O INCIDENTALES. Algunos estados no permiten la exclusión o limitación de daños incidentales o consecuenciales, por lo que las limitaciones o exclusiones anteriores pueden no aplicarse a usted. Esta garantía le concede derechos legales específicos y también puede tener otros derechos que varían de estado a estado.

Cualquier reclamación relativa a la KS400/KS401 debe ser interpuesto dentro de un año y deben ser llevados en Ohio. Todas las reclamaciones se registrarán por Ohio ley.

Si cualquier parte de esta garantía o limitación de los derechos y recursos es aplicable, el resto de este documento permanecerán en pleno vigor y efecto.

Para obtener servicio de garantía y Non-Warranty

### Para obtener el servicio:

1. Devolver el KS400/KS401 prepagados (todos sellos de correo, transporte y gastos de flete y de ASSOCIATED EQUIPMENT están a cargo del cliente) en su caja original (incluyendo la batería interna), con el recibo de compra original (ni ninguna otra prueba e la fecha de compra). Además, incluya su nombre, dirección postal,

nombre de la tienda donde se compró el producto y el número de teléfono durante el día puede ser alcanzado a:

REPAIR CENTER  
ASSOCIATED EQUIPMENT  
5043 Farlin Avenue  
St. Louis, MO 63115

2. ASSOCIATED EQUIPMENT reparar su KS400/KS401. Si la batería necesita ser reemplazada, un representante del servicio técnico se pondrá en contacto con usted para informarle acerca del prorrateo de gastos de la batería de reemplazo. ASSOCIATED EQUIPMENT reparar y devolver su KS400/KS401 portes pagados si el producto está cubierto por la garantía.

## Piezas de repuesto

<u>Número de pieza</u>	<u>Descripción</u>
611402 .....	Cables 3 pies de largo de DC (incluye cables positivo y negativo)
611403 .....	Cables 7 pies de largo de DC (incluye cables positivo y negativo)
611413 .....	Cable adaptador larga enchufe cigarro DC-DC 6 Foot
625504 .....	Batería

**Notes:**

ASSOCIATED EQUIPMENT  
5043 Farlin Avenue  
St. Louis, MO 63115  
Tel.314-385-5178  
[www.associatedequip.com](http://www.associatedequip.com)

027-0998 Rev.20160426 – W2550