



OPERATOR'S MANUAL

IMPORTANT SAFETY INSTRUCTIONS

1. **SAVE THESE INSTRUCTIONS.** This manual contains important safety and operating instructions for the battery charger you have purchased. You may need to refer to these instructions at a later date.
2. **CAUTION.** To reduce risk of injury, charge only lead-acid rechargeable batteries. Other types of batteries may burst causing personal injury and property damage.
3. Do not expose the charger to rain or snow if specifically warned on the unit not to do so.
4. Use of an attachment not recommended or sold by the battery charger manufacturer may result in a risk of fire, electric shock, or injury to persons.
5. To reduce the risk of damage to the electric plug and cord, pull by the plug rather than the cord when disconnecting the charger.
6. Make sure the cord is located so that it will not be stepped on, tripped over, or otherwise subjected to damage or stress.
7. An extension cord should not be used unless absolutely necessary. Use of an improper extension cord could result in a risk of fire and electric shock. If an extension cord must be used, make sure:
 - a. That the pins on the plug of extension cord are the same number, size, and shape as those of the plug on the charger;
 - b. That the extension cord is properly wired and in good condition; and
 - c. If the length of the extension cord is less than 25 feet, use a 14AWG cord, If 50 feet- 12AWG, 100 feet-10AWG, 150 feet-8AWG.
8. Do not operate the charger with a damaged cord or plug, replace them immediately.
9. Do not operate the charger if it has received a sharp blow, been dropped, or otherwise damaged in any way; take it to a qualified serviceman.
10. Do not disassemble the charger; take it to a qualified serviceman when service or repair is required. Incorrect reassembly may result in risk of electric shock or fire.
11. To reduce the risk of electric shock, unplug the charger from the outlet before attempting any maintenance or cleaning. Turning off the controls will not reduce this risk.
12. **WARNING - RISK OF EXPLOSIVE GASES**
 - a. **WORKING IN VICINITY OF A LEAD-ACID BATTERY IS DANGEROUS. BATTERIES GENERATE EXPLOSIVE GASES DURING NORMAL BATTERY OPERATION. FOR THIS REASON, IT IS OF UTMOST IMPORTANCE THAT EACH TIME BEFORE USING YOUR CHARGER, YOU READ THIS MANUAL AND FOLLOW THE INSTRUCTIONS EXACTLY.**
 - b. To reduce the risk of battery explosion, follow these instructions and those published by the battery manufacturer and manufacturer of any equipment you intend to use in vicinity of the battery. Review cautionary markings on these products and on the engine.
13. **PERSONAL PRECAUTIONS**
 - a. Someone should be within range of your voice or close enough to come to your aid when you work near a lead-acid battery.
 - b. Have plenty of fresh water and soap nearby in case battery acid contacts skin, clothing, or eyes.
 - c. Wear complete eye protection, and clothing protection. Avoid touching eyes while working near battery.
 - d. If battery acid contacts skin or clothing, wash immediately with soap and water. If acid enter eyes, immediately flood eyes with running cold water for at least 10 minutes and get medical attention immediately.
 - e. NEVER smoke or allow a spark or flame in vicinity of the battery or engine.
 - f. Be extra cautious to reduce risk of dropping a metal tool onto the battery. It might spark or short circuit the battery or other electrical parts that may cause an explosion.
 - g. Remove personal metal items such as rings, bracelets, necklaces, and watches when working with a lead-acid battery. A lead-acid battery can produce a short circuit current high enough to weld a ring or the like to metal, causing a severe burn.
 - h. Use this charger for charging a LEAD-ACID battery only. It is not intended to supply power to a low-voltage electrical system other than in an automotive application. Do not use this battery charger for charging dry-cell batteries that are commonly used with home appliances. These batteries may burst and cause injury to persons and damage to property.
 - i. NEVER charge a frozen battery.
14. **PREPARING TO CHARGE**
 - a. If necessary to remove battery from vehicle to charge, always remove the grounded terminal from the battery first. Make sure all accessories in the vehicle are off, so as not to cause an arc.
 - b. Be sure the area around the battery is well ventilated while the battery is being charged. Gas can be forcefully blown away by using a piece of cardboard or other non-metallic material as a fan.
 - c. Clean the battery terminals. Be careful to keep corrosion from coming in contact with eyes.
 - d. Add distilled water in each cell until battery acid reaches level specified by the battery manufacturer. This helps purge excessive gas from cells. Do not overfill. For a battery without cell caps, carefully follow the manufacturer's recharging instructions.
 - e. Study all battery manufacturer's specific precautions such as removing or not removing the cell caps while charging and the recommended rates of charge.
 - f. Determine voltage of the battery by referring to the car owner's manual and make sure that the output voltage selector switch is set at the correct voltage. If the charger has adjustable charge rate, charge the battery initially at the lowest rate.

15. CHARGER LOCATION

- a. Locate the charger as far away from the battery as the DC cables permit.
- b. Never place the charger directly above the battery being charged; gases from the battery will corrode and damage the charger.
- c. Never allow battery acid to drop on the charger when reading the specific gravity or filling battery,
- d. Do not operate the charger in a closed-in area or restrict ventilation in any way.
- e. Do not set a battery on top of the charger.

16. DC CONNECTION PRECAUTIONS

- a. Connect and disconnect the DC output clamps only after setting the charger switches to the OFF position and removing the AC cord from the electric outlet. Never allow the clamps to touch each other.
- b. Attach the DC clamps to the battery post and twist or rock back and forth several times to make a good connection. This tends to keep the clamps from slipping off the terminals and helps to reduce the risk of sparking.

17. FOLLOW THESE STEPS WHEN THE BATTERY IS INSTALLED IN A VEHICLE. A SPARK NEAR THE BATTERY MAY CAUSE A BATTERY EXPLOSION. TO REDUCE THE RISK OF A SPARK NEAR THE BATTERY:

- a. Position the AC and DC cords to reduce the risk of damage by the hood, door, or moving engine parts.
- b. Stay clear of fan blades, belts, pulleys, and other parts that can cause injury to persons.
- c. Check the polarity of the battery post. The POSITIVE (POS, P, +) battery post usually has a larger diameter than the NEGATIVE (NEG, N, -) post.
- d. Determine which post of the battery is grounded (connected) to the chassis. If the negative post is grounded to the chassis (as in most vehicles), see item "e". If the positive post is grounded to the chassis, see item "f".
- e. For negative-grounded vehicles, connect the POSITIVE (RED) clamp from the battery charger to the POSITIVE (POS, P, +) ungrounded post of the battery. Connect the NEGATIVE (BLACK) clamp to the vehicle chassis, heavy gauge metal part of the frame, or engine block, away from the battery. Do not connect to the carburetor, fuel lines, or sheet metal body parts.
- f. For positive-grounded vehicle, connect NEGATIVE (BLACK) clamp from the battery charger to the NEGATIVE (NEG, N, -) ungrounded post of the battery. Connect POSITIVE (RED) clamp to the vehicle chassis or engine block away from the battery. Do not connect the clamp to the carburetor, fuel lines, or sheet-metal body parts. Connect to a heavy gauge metal part of the frame or engine block.
- g. When disconnecting the charger, turn the switches to OFF, disconnect the AC cord, remove the clamp from the vehicle chassis, and then remove the clamp from the battery terminal.
- h. See the operating instructions for length of charge information.

18. FOLLOW THESE STEPS WHEN THE BATTERY IS OUTSIDE THE VEHICLE. A SPARK NEAR THE BATTERY MAY CAUSE A BATTERY EXPLOSION. TO REDUCE THE RISK OF A SPARK NEAR THE BATTERY:

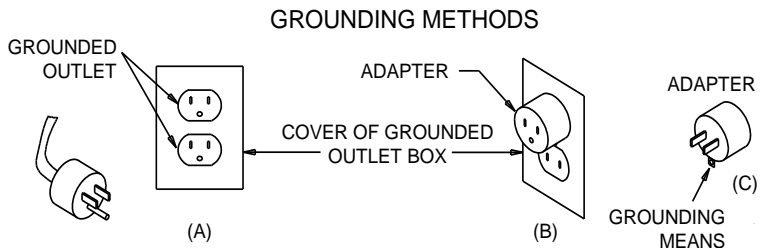
- a. Check the polarity of the battery post. The POSITIVE (POS, P, +) usually has a larger diameter than the NEGATIVE (NEG, N, -) post.
- b. Attach at least a 24-inch-long 6-gauge (AWG) insulated battery cable to the NEGATIVE (NEG, N, -) battery post.
- c. Connect the POSITIVE (RED) charger clamp to the POSITIVE (POS, P, +) post of the battery.
- d. Position yourself and free end of cable as far away from the battery as possible - then connect the NEGATIVE (BLACK) charger clamp to the free end of cable.
- e. Do not face the battery when making the final connection.
- f. When disconnecting the charger, always do so in reverse sequence of connecting procedure, and break the first connection while standing as far away from the battery as practical.
- g. A marine (boat) battery must be removed and charged on shore. To charge it on board requires equipment specially designed for marine use.

19. GROUNDING AND AC POWER CORD CONNECTION INSTRUCTIONS

The charger should be grounded to reduce the risk of electric shock. This charger is equipped with an electric cord having an equipment grounding conductor and a grounding plug. The plug must be plugged into an outlet that is properly installed and grounded in accordance with all local codes and ordinances.

DANGER. Never alter the AC cord or plug provided - if it will not fit the outlet, have a proper outlet installed by a qualified electrician. Improper connection can result in a risk of an electric shock. This battery charger is for use on a nominal 120-volt circuit and has a grounding plug that looks like the plug illustrated in FIGURE (A). A temporary adapter, which looks like the adapter illustrated in FIGURE (C), may be used to connect this plug to a two-pole receptacle, as shown in FIGURE (B), until a properly grounded outlet can be installed by a qualified electrician.

DANGER. Before using an adapter as illustrated, be certain that the center screw of the outlet plate is grounded. The green-colored rigid ear or lug extending from the adapter must be connected to a properly grounded outlet - make certain it is grounded. If necessary, replace the original outlet cover plate with a longer screw that will secure the adapter ear or lug to the outlet cover plate and make ground connection to grounded outlet.



NOTE: USE OF AN ADAPTER IS NOT ALLOWED IN CANADA. IF A GROUNDING TYPE RECEPTACLE IS NOT AVAILABLE, DO NOT USE THIS APPLIANCE UNTIL THE PROPER OUTLET IS INSTALLED BY A QUALIFIED ELECTRICIAN.

20. CHARGE PERIOD

The approximate required time to bring a battery to full charge state depends upon the number of ampere-hours (AH) depleted from the battery. AH is determined by multiplying the number of hours times the number of Amps supplied by a battery to a load and normally indicated on the battery. For example, - if a load was connected to a battery, which drew 7 Amps for a period of 5 hours, the battery will have supplied 35 AH. The approximate recharge time would then be calculated by dividing the 35 AH depleted from the battery, by the ampere charge rate of the charger. To allow for tapering of the charge rate add 25 percent to the charge time.

21. OPERATING INSTRUCTIONS: CHARGING

- **SLOW BLINKING RED LIGHT** - Indicates possible weak battery.
- **FAST BLINKING RED LIGHT** – Before charge this indicates battery is connected backwards, check connection.
- **CONTINUOUS RED LIGHT** - Indicates AC power is on.
- **CONTINUOUS GREEN LIGHT** - Indicates correct connection. If when battery is connected, the green light does not light, check for proper polarity or poor connections. If the battery voltage is below 4 volts the green light will not come on.
- **BLINKING GREEN LIGHT** - Indicates charge is complete, charger in the float mode.
- **CONTINUOUS YELLOW LIGHT** - Indicates charging, bulk charge, less than 80% charged.
- **BLINKING YELLOW LIGHT** - Indicates finish charge, greater than 80% charged.
- **FLASHING GREEN AND YELLOW LIGHTS** - Flooded batteries only. Indicates deep discharge recovery process.

NOTES:

FOUR SECOND DELAY - To avoid sparking, the charger tests for correct polarity before applying current to the battery. When connected properly, the green light will come on for 4 seconds before the yellow light comes on.

DEEP DISCHARGE RECOVERY - If the charger determines a battery is deeply discharged, it will attempt to recover the battery with a program designed to enhance charge acceptance. Because of the high voltage levels required for recovery, this program is not included for sealed batteries.

OPERATING PROCEDURE:

1. Plug AC cord into outlet. Turn POWER switch ON. RED light will come on.
2. Select mode of operation Flooded or Sealed/GEL. Most VRLA would be charged with flooded see battery manual for details, if in doubt charge with sealed.
3. Connect the RED clamp to the positive (+) and the BLACK clamp to the negative (-). The GREEN light will come on for 4 seconds. See PREPARING TO CHARGE portion under IMPORTANT SAFETY INSTRUCTIONS of this manual.
4. The YELLOW light will come on when the GREEN light goes off and charging will begin.
5. If the battery is deeply discharged, the YELLOW and GREEN lights will flash on and off for up to 30 minutes, in flooded setting.
6. Charging will be discontinued if the battery will not accept charge after a reasonable amount of time and the RED light will flash.
7. Charging time will depend on the size and state of charge of the battery.
8. When charging is complete, charger will go into a float mode and the GREEN light will blink.

NOTES ON RECOVERY OF DEEPLY DISCHARGED BATTERIES:

- a. Not all deeply discharged batteries can be recovered.
- b. Most weak batteries will be detected while charging. However, some batteries which have been recovered from a deep discharge will maintain an acceptable open circuit voltage but have a reduced capacity under load. Always load test or otherwise test a recovered battery to determine if the CCA capacity is within 80% of the rated value.

DEAD BATTERY OVERRIDE

If the battery voltage is below 4V the battery charger will not recognize that it has been connected to a battery. Most batteries even if completely discharged will recover to a voltage greater than 4V, but if a battery is left in a discharged state for an extended period of time the voltage may fall below 4V. This charger has been equipped with a Dead Battery Override switch; this can be used to start the charger if the battery voltage is below 4V.

OPERATION:

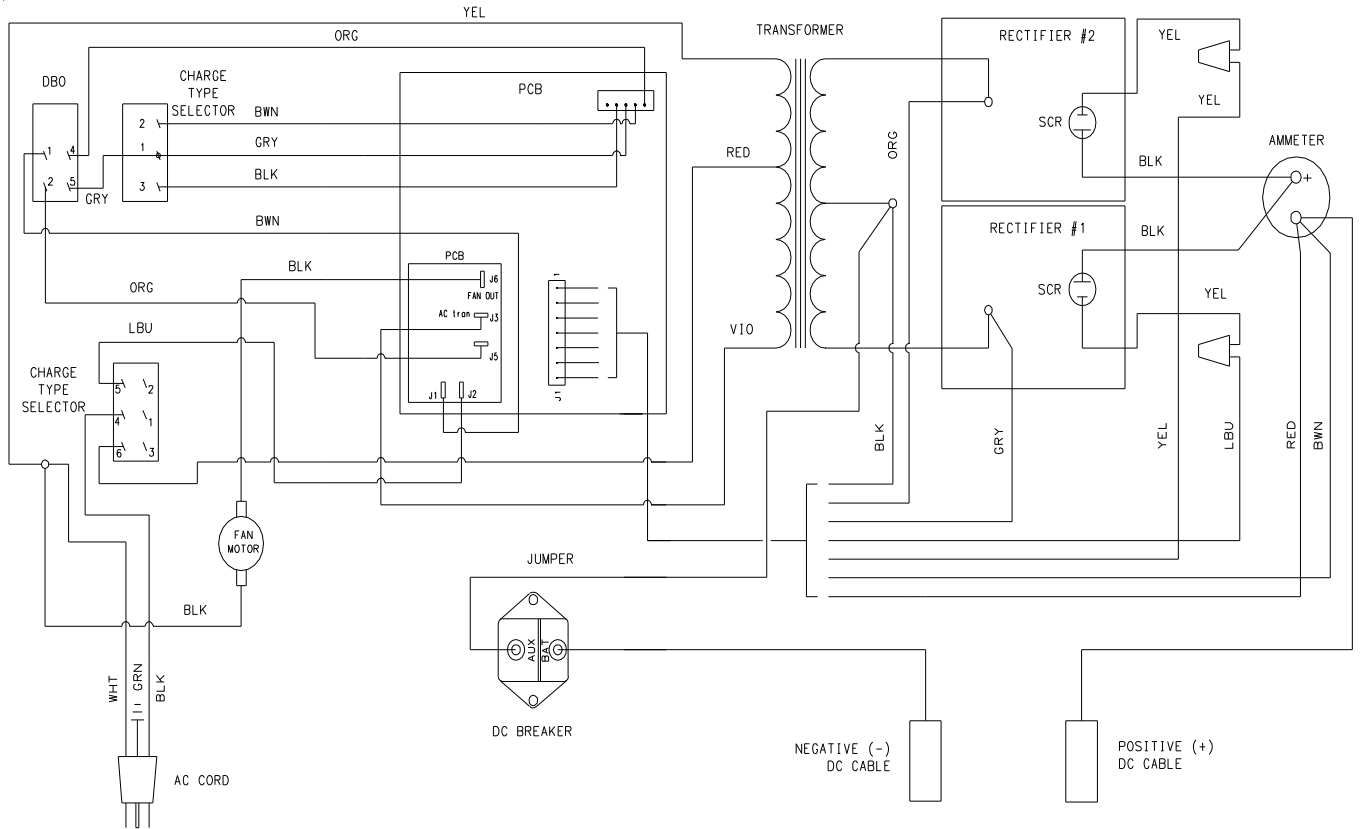
- a. Connect the deeply discharged battery to charger, battery should be placed as far away from the charger as the cables will allow. (See Section 18). Please insure that the battery is connected with the correct polarity.
- b. Press and hold the override switch; green LED should light, if monitoring the battery voltage should see it rise.
CAUTION: Never press the override switch without a battery connected.
- c. After several seconds release the override switch, if the battery will accept a charge it should now start charging. For best results the Battery Type switch should be set for flooded. If the battery is a sealed type; the Battery Type switch can be changed after the battery has reached the gassing point (Yellow Led starts to flash).
- d. The battery may have to be connected to the charger several times before the charger will not fail the battery as a bad battery (Red Led Flashing). **NOTE: The operator should only need to press the override for the first attempt to recover the battery.**

22. OPERATING INSTRUCTIONS: ELECTRICAL STABILITY SYSTEM

General operation:

1. With AC cord plugged into an outlet the RED light will be on continuously.
2. For best results the battery should be fully charged before being used with the Electrical Stability System
3. Set the selector switch to the ESS/FLASH setting (center).
4. Connect the RED clamp to the battery positive (+), connect the black clamp to the grounded frame of the vehicle (see Sec-17 on charging batteries installed in a vehicle), in the unusual case that the vehicle has a positive ground, connect the black clamp to the battery negative post (-) and the red clamp to the chassis.
5. When the charger detects the battery, voltage is present the GREEN light will light for 4 seconds. The YELLOW light will then come on and the unit will start to ramp up the DC current. When the charger reaches the safe operating level, the YELLOW light will start to blink.
6. The unit will not shut off, it will maintain the voltage within its capabilities until the unit is turned off.
7. If the voltage should fall below the specified level the YELLOW light will return to continuously on. If the unit cannot maintain the voltage level for more than 20 seconds, then the RED light will start to flash. At this point the unit is supplying maximum output and the battery voltage should be monitored to make sure it does not drop below minimum levels required for testing and/or programming.

WIRING DIAGRAM

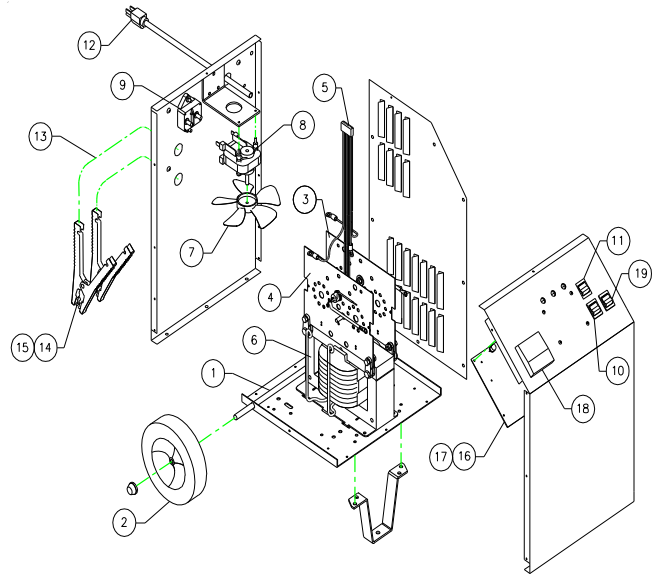


MODEL ESS6008 REPAIR PARTS

Item	Description	Part No.
1	Axle w/nuts.....	610052
2	Wheel w/nuts (2).....	611157
3	Rectifier (#1).....	611467
4	Rectifier (#2).....	611468
5	Harness.....	611237
6	Transformer.....	611469
7	Fan Blade.....	610189
8	Fan Motor w/blade.....	610190
9	DC Circuit Breaker.....	610536
10	Switch Momentary.....	610263
11	Switch ON-OFF-ON.....	611167
12	AC Cord.....	611185
13	DC Cable Set.....	611219
14	Clamps (1 pair w/jaws).....	6199
15	Jaw Kit (repairs 1 clamp).....	610970
16	PCB.....	611311
17	PCB, Fan Control.....	611470
18	Ammeter.....	605204
19	Switch DPDT.....	611300

Parts Not Shown

Clamp Bar.....	610517
Handle.....	605213



MAINTENANCE INSTRUCTIONS

Worn clamps should be replaced. Worn parts can lead to poor connections and present a safety hazard. See parts list for part number of D.C. Cord kit. Any Maintenance or repair of this unit that involves disassembly of the cabinet should be done only by a qualified serviceman. Incorrect reassembly may result in a risk of electric shock when the unit is subsequently used.

MODÈLE ESS6008 MANUEL D'UTILISATION

INSTRUCTIONS DE SÉCURITÉ IMPORTANTES

1. **CONSERVER CES INSTRUCTIONS.** Le présent manuel contient des instructions de sécurité et d'utilisation importantes pour l'utilisation du chargeur de batterie que vous avez acheté et qui pourront se révéler utiles ultérieurement.
UN CHARGEUR DE BATTERIE REÇOIT LE COURANT ALTERNATIF (c.a.) D'UNE PRISE ÉLECTRIQUE, ET FOURNIT DU COURANT CONTINU (c.c.) À LA BATTERIE.
 2. **AVERTISSEMENT** - Afin de réduire le risque de blessures, ne charger que des batteries au plomb rechargeables. Tout autre type de batterie peut exploser, causant des blessures corporelles et des dégâts matériels.
 3. Ne pas exposer le chargeur à la pluie ou à la neige.
 4. L'utilisation d'un accessoire non recommandé ou non vendu par le fabricant du chargeur de batterie peut être la cause d'incendies, d'électrocutions ou de blessures corporelles.
 5. Afin de réduire les risques de dommages à la fiche électrique ou au cordon d'alimentation, débrancher le chargeur en tirant sur la fiche et non sur le cordon.
 6. S'assurer que le cordon d'alimentation est placé de sorte qu'il ne puisse être écrasé, accroché ou soumis à toute autre forme de dommages ou de contraintes.
 7. N'utiliser de rallonge électrique que si absolument nécessaire. L'utilisation d'une rallonge inadéquate peut être la cause d'incendies ou d'électrocutions. Si l'utilisation d'une rallonge est absolument nécessaire:
 - a. les tiges de la fiche de la rallonge sont des mêmes dimension, forme et nombre que celles de la fiche du cordon d'alimentation;
 - b. la rallonge électrique est en bon état et que son câblage est adéquat; et
 - c. Si la longueur du cordon prolongateur est moins de 25 pieds, utilisez un cordon - 14AWG, 50 pieds - 12AWG, 100 pieds - 10AWG, 150 pieds - 8AWG.
 8. Ne pas faire fonctionner le chargeur si le cordon ou la fiche ont été endommagés - les remplacer immédiatement.
 9. Ne pas faire fonctionner le chargeur s'il a été heurté violemment, échappé ou endommagé de quelque façon que ce soit; l'apporter à un technicien qualifié.
 10. Ne pas démonter le chargeur; l'apporter à un technicien qualifié lorsqu'on doit en effectuer l'entretien ou la réparation. Un remontage inadéquat peut être la cause d'électrocutions ou d'incendies.
 11. Pour réduire les risques d'électrocutions, débrancher le chargeur avant d'entreprendre tout type d'entretien ou de nettoyage. Le fait d'arrêter les commandes ne réduit pas ces risques.
12. **AVERTISSEMENT - DANGER DÛ AUX GAZ EXPLOSIFS**
 - a. **IL EST DANGEREUX DE TRAVAILLER PRÈS D'UNE BATTERIE AU PLOMB EN RAISON DES GAZ EXPLOSIFS PRODUITS LORS DU FONCTIONNEMENT NORMAL DE LA BATTERIE. POUR CETTE RAISON, IL EST DE LA PLUS HAUTE IMPORTANCE DE LIRE SOIGNEUSEMENT ET D'OBSERVER LES INSTRUCTIONS DU PRÉSENT MANUEL AVANT TOUTE UTILISATION DU CHARGEUR.**
 - b. Pour réduire les risques d'explosion de la batterie, suivre les présentes instructions et celles du fabricant de la batterie ou de tout autre équipement devant être utilisé près d'une batterie. Revoir les avertissements indiqués sur ces produits et sur le moteur.
13. **PRÉCAUTIONS PERSONNELLES**
 - a. S'assurer que quelqu'un est à portée de voix ou suffisamment près pour prêter assistance lorsqu'on travaille près d'une batterie au plomb.
 - b. Avoir à la portée de la main une réserve suffisante d'eau fraîche et du savon au cas où l'acide de la batterie entrerait en contact avec la peau, les vêtements ou les yeux.
 - c. Porter des lunettes de sécurité et des vêtements de protection. Éviter de se toucher les yeux lorsqu'on travaille à proximité d'une batterie.
 - d. Si la peau ou les vêtements entrent en contact avec l'acide de la batterie, les laver immédiatement à l'eau et au savon. Si l'acide pénètre dans les yeux, les rincer immédiatement à l'eau courante froide pendant au moins 10 minutes et appeler immédiatement un médecin.
 - e. NE JAMAIS fumer ni provoquer d'étincelles ou flammes à proximité de la batterie ou du moteur.
 - f. Faire bien attention de ne pas échapper d'outil métallique sur la batterie. Cela pourrait provoquer une étincelle ou encore court-circuiter la batterie ou d'autres pièces électriques pouvant provoquer une explosion.
 - g. Enlever tout objet métallique personnel comme les bagues, bracelets, colliers et montres avant de travailler avec une batterie au plomb.
 - h. N'utiliser le chargeur que pour recharger une batterie AU PLOMB. Il n'est pas conçu pour alimenter les systèmes électriques à faible tension autres que ceux s'appliquant aux automobiles. Ne pas utiliser le chargeur pour recharger des piles sèches normalement utilisées pour les appareils électroménagers. Ces piles peuvent exploser et causer des blessures et des dommages matériels.
 - i. NE JAMAIS charger une batterie gelée.
14. **PRÉPARATION DE LA CHARGE**
 - a. S'il est nécessaire de retirer la batterie du véhicule pour la charger, toujours retirer en premier la borne mise à la masse. S'assurer que tous les accessoires dans le véhicule sont arrêtés afin de pas causer d'arc.
 - b. On peut dissiper les gaz en utilisant comme éventail un morceau de carton ou un article non métallique
 - c. Nettoyer les bornes de la batterie. Faire bien attention que les yeux n'entrent pas en contact avec les matières corrodées.
 - d. Ajouter de l'eau distillée dans chacune des cellules de la batterie, jusqu'à ce que le niveau d'acide dans la batterie atteigne celui qui est spécifié par le fabricant. Cela facilite la purge de gaz excédentaires des cellules. Ne pas dépasser le niveau spécifié. Suivre attentivement les instructions de charge du fabricant pour les batteries qui n'ont pas de bouchons de cellules.
 - e. Étudier toutes les précautions spécifiques du fabricant de la batterie tels celles qui concernent le retrait ou non des bouchons de cellules lors de la charge, ou encore le régime de charge recommandé.
 - f. Déterminer la tension de la batterie en se référant au manuel du véhicule et s'assurer que le sélecteur de tension de sortie du chargeur est réglé à la bonne tension. Si le chargeur offre un régime de charge réglable, charger initialement la batterie au régime de charge le plus faible.
15. **EMPLACEMENT DU CHARGEUR**
 - a. Installer le chargeur aussi loin de la batterie que les câbles c.c. le permettent.
 - b. Ne jamais placer le chargeur directement au-dessus d'une batterie pendant la charge; les gaz s'échappant de la batterie peuvent corroder et

endommager le chargeur.

- c. Ne jamais laisser l'acide de la batterie s'égoutter sur le chargeur pendant la lecture de densité ou le remplissage de la batterie.
- d. Ne pas utiliser le chargeur dans un endroit fermé ou mal ventilé en aucune circonstance.
- e. Ne pas placer la batterie sur le chargeur.

16. PRÉCAUTIONS RELATIVES AUX CONNEXIONS c.c.

- a. Brancher et débrancher les pinces de sortie c.c. seulement après avoir mis tous les interrupteurs du chargeur à la position d'arrêt et débranché le cordon d'alimentation c.a. de la prise de courant. Ne jamais les pinces se toucher.
- b. Brancher les pinces aux bornes de la batterie puis faire pivoter ou basculer la pince d'avant en arrière plusieurs fois pour obtenir un bon contact. Cela empêche les pinces de glisser des bornes et réduit les risques d'étincelles.

17. RESPECTER LES ÉTAPES SUIVANTES LORSQUE LA BATTERIE SE TROUVE À L'INTÉRIEUR DU VÉHICULE. UNE ÉTINCELLE À PROXIMITÉ DE LA BATTERIE PEUT LA FAIRE EXPLOSER. POUR RÉDUIRE LE RISQUE D'ÉTINCELLES PRÈS DE LA BATTERIE, IL FAUT :

- a. Positionner les cordons c.c. et c.a. de façon à réduire les risques de dommages pouvant être causés par le capot, les portières, ou des pièces mobiles du moteur.
- b. Se tenir à distance des pales de ventilateur, courroies, poulies et autres pièces pouvant causer des blessures corporelles.
- c. Vérifier la polarité des bornes de la batterie. En général, la borne positive (POS, P, +) a un diamètre plus grand que celui de la borne négative (NEG, N, -).
- d. Déterminer quelle borne est mise à la masse (reliée au châssis). Si la borne négative est mise à la masse au châssis (comme dans la plupart des véhicules) voir l'article (e). Si la borne positive est mise à la masse au châssis, voir l'article (f).
- e. Pour un véhicule avec masse au négatif, brancher la pince positive (ROUGE) du chargeur de batterie à la borne positive (POS, P,+) non mise à la masse de la batterie. Brancher la pince négative (noire) au châssis du véhicule ou au bloc moteur à distance de la batterie. Ne jamais brancher la pince au carburateur, aux conduites d'essence, ou aux pièces du châssis faites de tôle mince. Brancher à une pièce métallique épaisse du châssis ou au bloc moteur.
- f. Pour un véhicule avec masse au positif, brancher la pince négative (NOIRE) du chargeur de batterie à la borne négative (NEG, N, -) non mise à la masse, de la batterie. Brancher la pince positive (ROUGE) au châssis du véhicule ou au bloc moteur à distance de la batterie. Ne jamais brancher la pince au carburateur, aux conduites d'essence, ou aux pièces du châssis faites de tôle mince. Brancher à une pièce métallique épaisse du châssis ou au bloc moteur.
- g. Pour débrancher le chargeur, mettre les interrupteurs sur "O" (off), débrancher le cordon d'alimentation c.a., débrancher la pince du châssis du véhicule, puis débrancher la pince de la borne de la batterie, dans cet ordre.
- h. Pour toute information relative au temps de charge, voir les instructions d'utilisations.

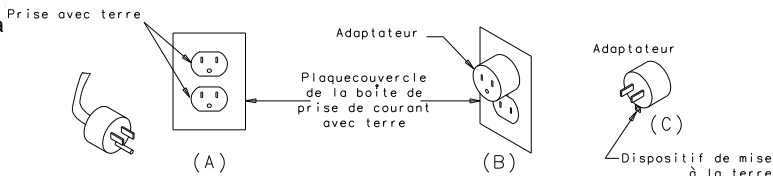
18. RESPECTER LES ÉTAPES SUIVANTES LORSQUE LA BATTERIE SE TROUVE À L'EXTÉRIEUR DU VÉHICULE. UNE ÉTINCELLE À PROXIMITÉ DE LA BATTERIE PEUT LA FAIRE EXPLOSER. POUR RÉDUIRE LE RISQUE D'ÉTINCELLES PRÈS DE LA BATTERIE, IL FAUT:

- a. Vérifier la polarité des bornes de la batterie. En général, la borne positive (POS, P, +) a un diamètre plus grand que celui de la borne négative (NEG, N, -).
- b. Relier à la borne négative (NEG, N, -) de la batterie un câble pour batterie isolé d'au moins 60 cm long aux normes du pays.
- c. Brancher la pince positive (ROUGE) du chargeur à la borne positive (POS, P, +) de la batterie.
- d. Se tenir à distance de la batterie et dégager l'extrémité du câble puis brancher la pince négative (NOIRE) du chargeur à l'extrémité du câble.
- e. Ne pas faire face à la batterie pour effectuer le dernier branchement.
- f. Pour débrancher le chargeur, suivre en sens inverse les étapes relatives au branchement et débrancher la première connexion tout en se tenant aussi loin que possible de la batterie.
- g. Les batteries pour bateaux doivent être démontées et chargées à terre. La charge à bord d'un bateau exige un instrument mis au point spécialement pour applications maritimes.

19. INSTRUCTIONS DE MISE À LA TERRE ET DE CONNEXION DU CORDON C.A.

Le chargeur doit être mis à la masse afin de réduire le risque d'électrocution. Le chargeur est muni d'un cordon électrique pourvu d'un conducteur de mise à la terre de l'équipement et d'une fiche avec la terre. La fiche doit être branchée dans une prise adéquatement installée et mise à la terre conformément aux règlements et codes en vigueur.

DANGER. Ne jamais modifier le cordon d'alimentation c.a. ni la fiche fournis pour les adapter à la prise; faire installer une prise adéquate par un électricien qualifié. Une connexion inadéquate peut être cause d'électrocution. Le chargeur doit être utilisé sur un circuit d'une valeur nominale de 120 volts et possède une fiche avec la terre similaire à celle de la FIGURE (A). Un adaptateur temporaire, similaire à celui de la FIGURE (C), peut être utilisé pour brancher cette fiche à une prise bipolaire, tel que montré à la FIGURE (B), jusqu'à ce qu'une prise avec terre adéquate soit installée par un électricien qualifié.



DANGER. Avant d'utiliser un adaptateur, tel qu'illustré, s'assurer que la vis centrale de la plaque-couvercle de la prise est mise à la terre. L'oreille rigide verte de la patte faisant saillie de l'adaptateur doit être branchée à une prise de courant mise à la terre adéquatement - s'assurer que l'oreille est mise à la terre. Si nécessaire, remplacer la vis originale de la plaque-couvercle de la prise par une vis plus longue qui saura bien retenir la patte de l'adaptateur à la plaque-couvercle et assurer la connexion de terre à la prise avec terre.

NOTE: L'UTILISATION D'UN ADAPTATEUR EST INTERDITE AU CANADA. SI UNE PRISE DE COURANT AVEC MISE À LA TERRE N'EST PAS DISPONIBLE EN FAIRE INSTALLER UNE PAR UN ÉLECTRICIEN QUALIFIÉ AVANT D'UTILISER CET APPAREIL.

20. PÉRIODE DE CHARGE

Le période de charge complète approximative d'une batterie dépend du nombre d'ampères-heures manquant à la batterie. On détermine les ampères-heures en multipliant le nombre d'heures par le nombre d'ampères fournis par une batterie à une charge et habituellement indiqués sur la

batterie. Par exemple - si une charge était branchée à une batterie et nécessitait 7 ampères pendant une période de 5 heures, la batterie aurait fourni 35 ampères-heures. On calculerait alors le temps de recharge approximatif en divisant les 35 ampères-heures manquant à la batterie, par le régime de charge du chargeur en ampères. Pour compenser la diminution du régime de charge, augmenter le temps de charge de 25 pourcent.

21. NOTICE D'UTILISATION

- **VOYANT ROUGE CLIGNOTANT LENTEMENT** – Indique que la batterie peut être faible.
- **VOYANT ROUGE CLIGNOTANT RAPIDEMENT** – Avant la charge, indique que la batterie est branchée à l'envers; vérifier le branchement.
- **VOYANT ROUGE CONTINU** – Indique que l'alimentation c.a. est en marche.
- **VOYANT VERT CONTINU** – Indique le branchement correct. Si le voyant vert ne s'allume pas lorsque la batterie est branchée, vérifier la polarité et la qualité des branchements. Lorsque le voltage de la batterie est inférieur à 4 volts, le voyant vert ne s'allume pas.
- **VOYANT VERT CLIGNOTANT** – Indique que le chargement est terminé et que la batterie est en mode d'attente.
- **VOYANT JAUNE CONTINU** – Indique le chargement, en bloc, et une charge de moins de 80%.
- **VOYANT JAUNE CLIGNOTANT** – Indique que le chargement est terminé et que la charge est à plus de 80%.
- **VOYANTS VERT ET JAUNE ALTERNANTS** – Batteries noyées seulement. Indique le premier stade du processus de récupération de décharge.

REMARQUES:

DÉLAI DE QUATRE SECONDES – Pour éviter la formation d'étincelles, le chargeur vérifie la polarité avant d'appliquer le courant à la batterie. Lorsque la batterie est branchée correctement, le voyant vert s'allume pendant 4 secondes, puis le voyant jaune s'allume.

RÉCUPÉRATION APRÈS DÉCHARGE COMPLÈTE – Lorsque le chargeur détecte qu'une batterie est complètement déchargée, il tente de récupérer la batterie en utilisant un programme conçu pour accroître la capacité d'emmagasinement. Étant donné les niveaux de voltage requis pour la récupération, ce programme n'est pas compris dans les batteries à bac hermétique.

DIRECTIVES D'UTILISATION:

1. Brancher le cordon d'alimentation c.a. dans la prise. Allumer l'interrupteur de marche (POWER). Le voyant ROUGE devrait s'allumer.
2. Sélectionner le mode Noyé ou Scellé/GEL. La plupart des batteries VRLA doivent être chargées en mode noyé; consulter le mode d'emploi de la batterie pour plus de détails. En cas de doute, utiliser le mode scellé.
3. Brancher la pince NOIRE à la borne négative (-) et la pince ROUGE à la borne positive (+). Le voyant VERT s'allume pendant 4 secondes. Consulter la section PRÉPARATION DE LA CHARGE des INSTRUCTIONS DE SÉCURITÉ IMPORTANTES de ce manuel.
4. Le voyant JAUNE s'allume lorsque le voyant VERT s'éteint et le chargement commence.
5. Lorsque la batterie est complètement déchargée, les voyants JAUNE et VERT clignotent pendant un maximum de 30 minutes en mode noyé.
6. Le chargement est interrompu si la batterie refuse la charge après une durée raisonnable et le voyant ROUGE clignote.
7. Le temps de chargement dépend de la taille et de l'état de déchargement de la batterie.
8. Une fois le chargement terminé, un signal sonore est émis et le voyant VERT clignote.

REMARQUES SUR LA RÉCUPÉRATION DE BATTERIES COMPLÈTEMENT DÉCHARGÉES:

- a. Les batteries complètement déchargées ne peuvent pas toutes être récupérées.
- b. La plupart des batteries faibles sont détectées pendant le chargement. Toutefois, certaines batteries qui ont été récupérées après une décharge complète conservent une tension suffisante en circuit ouvert, mais elles présentent une capacité réduite à la charge. Toujours effectuer une épreuve de charge ou tester autrement les batteries récupérées pour déterminer si la capacité CCA se trouve à au moins 80 % de la valeur assignée.

NEUTRALISATION DE BATTERIE À PLAT

Lorsque la tension de la batterie est inférieure à 4V, le chargeur ne reconnaît pas qu'il est branché à une batterie. La plupart des batteries entièrement déchargées arrivent à atteindre une tension de 4V, mais si la batterie est déchargée depuis un long moment, sa tension peut tomber au-dessous de 4V. Ce chargeur est pourvu d'un commutateur de neutralisation de batterie à plat; ce commutateur peut être utilisé pour démarrer le chargeur lorsque la tension de la batterie est inférieure à 4V.

FONCTIONNEMENT:

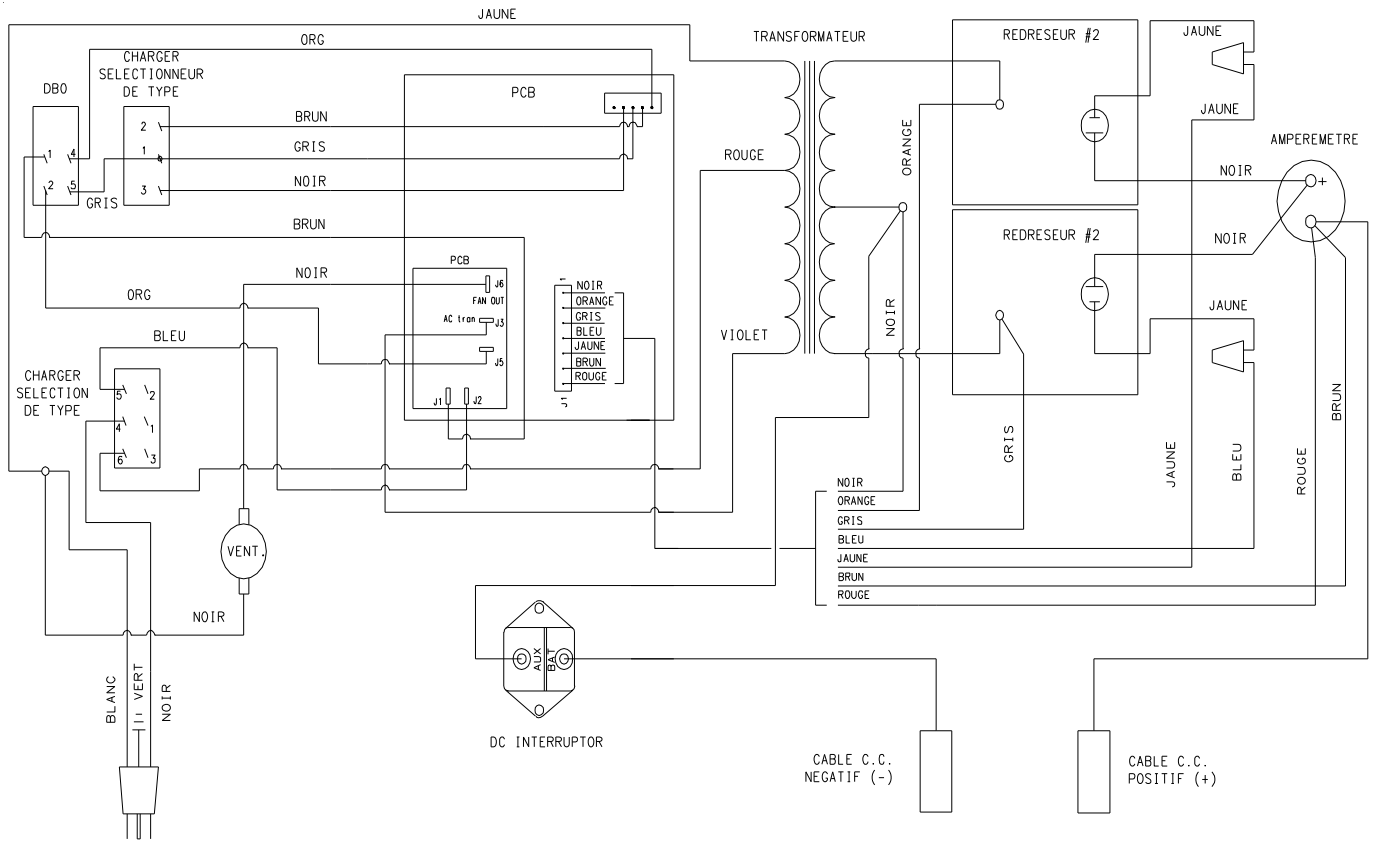
- a. Branchez la batterie entièrement déchargée au chargeur en plaçant la batterie le plus loin possible du chargeur en étirant les câbles au maximum. (Voir la Section 18) S'assurer que la batterie est branchée selon la bonne polarité.
- b. Enfoncez et tenez le commutateur de neutralisation; le voyant DEL vert devrait s'allumer et la tension de la batterie devrait s'accroître si on la surveille. MISE EN GARDE: N'enfoncez jamais le commutateur de neutralisation si aucune batterie n'est branchée au chargeur.
- c. Après plusieurs secondes, relâchez le commutateur de neutralisation; si la batterie accepte la charge, elle devrait maintenant commencer à se charger. Pour de meilleurs résultats, le commutateur de type de batterie devrait être réglé sur noyée. Si la batterie est du type sans entretien, le type de batterie peut être changé une fois que la batterie a atteint le point gazeux (le voyant DEL jaune se met à clignoter).
- d. La batterie peut devoir être branchée au chargeur plusieurs fois avant que le chargeur cesse d'indiquer qu'il s'agit d'une mauvaise batterie (le voyant DEL rouge clignote); **l'opérateur ne devrait avoir à enfoncer le commutateur de neutralisation qu'à la première tentative de récupération.**

22. DIRECTIVES D'UTILISATION: SYSTÈME DE STABILISATION ÉLECTRIQUE

Fonctionnement général :

1. Lorsque le cordon d'alimentation c.a. est branché dans une prise, le voyant ROUGE reste allumé en tout temps.
2. Pour de meilleurs résultats, la batterie doit être entièrement chargée avant d'être utilisée avec le Système de stabilisation électrique.
3. Régler le commutateur de sélection sur ESS/FLASH (centre).
4. Brancher la pince ROUGE à la borne positive (+) de la batterie, puis brancher la pince noire au châssis mis à la terre du véhicule (voir la Sec-17 sur le chargement des batteries installées dans un véhicule). Dans l'éventualité improbable où le véhicule est mis à la terre au positif, brancher la pince noire à la borne négative (-) de la batterie, puis brancher la pince rouge au châssis.
5. Lorsque le chargeur détecte la tension de la batterie, le voyant VERT s'allume pendant 4 secondes. Le voyant JAUNE s'allume ensuite et l'appareil commence à fournir un courant continu. Lorsque le chargeur atteint son niveau opérationnel sécuritaire, le voyant JAUNE commence à clignoter.
6. L'appareil ne s'arrête pas de lui-même. Il maintient la tension à l'intérieur de ses paramètres jusqu'à ce qu'il soit mis à l'arrêt.
7. Si la tension tombe sous la valeur spécifiée, le voyant JAUNE reprend son mode d'affichage continu. Si l'appareil ne peut pas maintenir la tension requise pendant plus de 20 secondes, le voyant ROUGE se met à clignoter. À ce moment-ci, l'appareil fournit une tension maximale à la batterie et la tension de la batterie doit être surveillée pour s'assurer qu'elle ne tombe pas sous les valeurs minimales requises pour les tests ou la programmation.

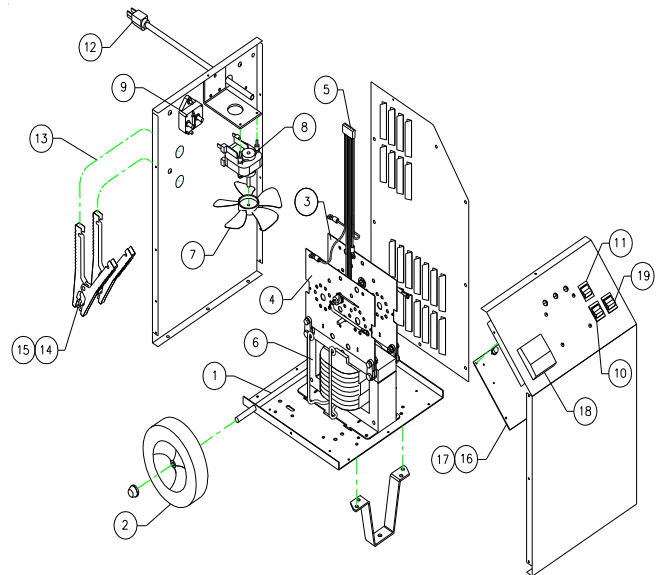
SCHÉMA DE CÂBLAGE



LISTE DES PIÈCES DE RECHANGE

Pièces	Description	Numéro de Pièce
1	Axe avec écrous	610052
2	Roue avec écrous (2)	611157
3	Redresseur (#1).....	611467
4	Redresseur (#2).....	611468
5	Harnais	611237
6	Transformateur	611469
7	Pale de ventilateur.....	610189
8	Moteur de ventilateur avec lame de ventilateur.....	610190
9	Disjoncteur c.c.....	610536
10	Interrupteur momentané.....	610263
11	Interrupteur ON-OFF-ON	611167
12	Cordon d'alimentation c.a.....	611185
13	Câble du courant alternatif	611219
14	Pinces (1 paire avec mâchoires).....	6199
15	Jeu de mâchoires (répare 1 pince)	610970
16	Carte de circuit	611311
17	Carte de circuit	611470
18	Ampèremètre.....	605204
19	Interrupteur DPDT	611300

Pièces non visible		
	Poignée.....	605213
	Barre de bride.....	610517



INSTRUCTIONS D'ENTRETIEN

Les pinces, les rallonges ou les câbles usés doivent être remplacés. Des pièces usées peuvent causer une mauvaise connexion et par là même poser un danger pour l'utilisateur. Voir la liste des pièces de rechange pour les numéros de pièce. Tout entretien ou toute réparation de l'appareil nécessitent le démontage du boîtier doit être effectué par un technicien qualifié.

MODELO ESS6008

MANUAL DE INSTRUCCIONES

IMPORTANTES INSTRUCCIONES DE SEGURIDAD

1. **GUARDE ESTAS INSTRUCCIONES.** Este manual contiene importantes instrucciones de seguridad para el cargador de baterías que ha comprado. Puede necesitar referirse a ellas en una fecha posterior.
2. **PRECAUCIÓN.** Para reducir el riesgo de heridas, cargue sólo baterías recargables de ácido de plomo. Otro tipo de baterías pueden quemarse causando heridas y daños personales.
3. No exponga el cargador a la lluvia o nieve a no ser que se especifique en la unidad.
4. El uso de un cable no recomendado o vendido por el fabricante del cargador de baterías puede causar riesgo de fuego, shock eléctrico o heridas a personas.
5. Para reducir el riesgo de dañar el enchufe o el cable, tire del enchufe en lugar del cable al desenchufar el cargador.
6. Asegúrese de que el cable está colocado de manera que no pueda pisarse o sufrir daño alguno.
7. Un alargador no debe usarse a no ser totalmente necesario. El uso de un alargador incorrecto puede causar riesgo de fuego o shock eléctrico. Si se utiliza un alargador, asegúrese:
 - a. Que las terminales del enchufe del alargador sean del mismo número, tamaño y forma que las del enchufe del cargador.
 - b. Que el alargador esté en buenas condiciones eléctricas.
 - c. Si la longitud del alargador es menor de 25 pies, use un cable de 14 AWG. Si es de 50 pies - 12 AWG, 100 pies - 10 AWG, 150 pies - 8 AWG.
8. No utilizar el cargador con un cable o enchufe dañado -Cámbielos inmediatamente.
9. No utilice el cargador si ha sido dañado de alguna manera; llévelo a un servicio técnico especializado.
10. No desarme el cargador a no ser que esté capacitado para reparar componentes eléctricos. Si no es así, llévelo a un servicio técnico especializado. Un reensamblaje incorrecto puede causar riesgo de fuego o shock eléctrico.
11. Para reducir el riesgo de shock eléctrico desenchufe el cargador antes de proceder a limpiarlo o repararlo. Apagando los controles no se reducirá el riesgo.
12. **ATENCIÓN - RIESGO DE GASES EXPLOSIVOS**
 - a. TRABAJAR CERCA DE UNA BATERÍA DE ÁCIDO DE PLOMO ES PELIGROSO. LAS BATERÍAS, DURANTE SU FUNCIONAMIENTO NORMAL, GENERAN GASES EXPLOSIVOS. POR ESTA RAZÓN, ES DE GRAN IMPORTANCIA QUE CADA VEZ QUE VAYA A UTILIZAR EL CARGADOR LEA ESTE MANUAL Y SIGA EXACTAMENTE LAS INSTRUCCIONES.
 - b. Para reducir el riesgo de explosión de la batería, siga estas instrucciones y las publicadas por el fabricante de la batería y de cualquier equipo que utilice cerca de ella.
13. **PRECAUCIONES PERSONALES**
 - a. Siempre debe haber alguien lo suficientemente cerca para acudir en su ayuda cuando trabaje cerca de una batería de ácido de plomo.
 - b. Tenga siempre cerca suficiente agua y jabón por si el ácido de la batería contactase su piel, ropa u ojos.
 - c. Lleve siempre protección para los ojos y ropa. Evite frotarse los ojos mientras trabaja cerca de la batería de ácido de plomo.
 - d. Si el ácido de la batería contacta su piel o ropa, lávese inmediatamente con agua y jabón. Si el ácido contacta sus ojos lávelos inmediatamente con agua corriente fresca durante al menos 10 minutos y obtenga atención médica.
 - e. NUNCA fume o produzca chispas o llamas cerca de la batería o del motor.
 - f. Sea muy cuidadoso para evitar que una herramienta de metal caiga encima de la batería. Podría causar una chispa o un cortocircuito en la batería u otras partes eléctricas que podrían causar una explosión.
 - g. Qítense todos los objetos personales como anillos, pulseras, cadenas y relojes cuando trabaje con una batería de ácido de plomo. Una batería de ácido de plomo puede causar una corriente de cortocircuito lo suficientemente alta para fundir un anillo causando graves quemaduras.
 - h. Utilice el cargador sólo para cargar baterías de ácido de plomo. No está preparado para suministrar potencia a sistemas eléctricos de bajo voltaje que no sean una aplicación del automóvil. No utilice el cargador de baterías para cargar las pilas que se utilizan en los aparatos del hogar. Estas pilas se pueden quemar causando heridas a personas y daños a la propiedad.
 - i. NUNCA cargue una batería congelada.
14. **PREPARANDO PARA CARGAR**
 - a. Si es necesario quitar la batería del vehículo para cargarla, desconecte siempre la terminal a tierra primero. Asegúrese de que todos los accesorios del vehículo estén apagados de manera que no puedan causar un puente.
 - b. Asegúrese de que la zona alrededor de la batería se encuentra bien ventilada mientras se carga la batería, también puede disiparse el gas utilizando un trozo de cartón como ventilador.
 - c. Limpie las terminales de la batería. Tenga cuidado de que la corrosión no contacte sus ojos.
 - d. Añada agua destilada en cada celda hasta que el ácido de la batería alcance el nivel especificado por el fabricante. Esto ayuda a purgar el excesivo gas de las celdas. No las rellene demasiado. Para una batería sin tapones de celdas, siga cuidadosamente las instrucciones de recarga del fabricante.
 - e. Léase todas las precauciones específicas del fabricante de la batería tales como quitar o no los tapones de las celdas cuando se cargue la batería y los niveles recomendados de carga.
 - f. Determine el voltaje de la batería consultando el manual del vehículo y asegúrese que el selector de voltaje del cargador está en la posición correcta. Si el cargador tiene un nivel de carga ajustable, empiece cargando la batería en el nivel más bajo.
15. **COLOCACIÓN DEL CARGADOR**
 - a. Coloque el cargador tan lejos de la batería como lo permitan los cables CD.
 - b. Nunca coloque el cargador encima de la batería que se está cargando; los gases de la batería corroerán y dañarán el cargador.
 - c. Nunca permita que el ácido de la batería caiga en el cargador.
 - d. No utilice el cargador en un área cerrada o con poca ventilación
 - e. No coloque la batería encima del cargador.

16. PRECAUCIONES PARA LA CONEXIÓN CD

- Conecte y desconecte las pinzas CD únicamente después de apagar todos los interruptores del cargador y de desenchufar el cable AC. Nunca permita que las pinzas se toquen.
- Conecte las pinzas a las terminales de la batería girándolas varias veces para asegurar una buena conexión. Esto hace que las pinzas no resbalen y reduce el riesgo de chispa.

17. SIGA ESTOS PASOS CUANDO LA BATERÍA ESTÁ INSTALADA EN EL VEHÍCULO. UNA CHISPA CERCA DE LA BATERÍA PUEDE CAUSAR LA EXPLOSIÓN DE LA MISMA. PARA REDUCIR EL RIESGO DE CHISPA CERCA DE LA BATERÍA:

- Coloque los cables AC y CD de manera que no puedan ser dañados por el capó, puertas u otras partes móviles del motor.
- Manténgase alejado de aspas de ventilador, correas y otras partes que pueden causar daños a personas.
- Compruebe la polaridad de las terminales de la batería. La terminal POSITIVA (POS, P,+) tiene normalmente un mayor diámetro que la terminal NEGATIVA (NEG, N, -).
- Determine qué terminal de la batería está conectada a tierra (al chasis). Si la terminal negativa está conectada al chasis (como la mayoría de los vehículos), ver apartado E. Si la terminal positiva está conectada al chasis, ver apartado F.
- Para un vehículo con la terminal negativa conectada a tierra, conecte la pinza POSITIVA (ROJA) del cargador de baterías a la terminal POSITIVA (POS, P, +) de la batería. Conecte la pinza NEGATIVA (NEGRA) al chasis del vehículo, a un metal de gran calibre o al bloque del motor lejos de la batería. No conecte la pinza al carburador, conducto de gasolina o láminas de metal.
- Para un vehículo con terminal positiva a tierra, conecte la pinza NEGATIVA (NEGRA) del cargador de baterías a la terminal NEGATIVA (NEG, N, -) de la batería. Conecte la pinza POSITIVA (ROJA) al chasis del vehículo o al bloque del motor lejos de la batería. No conecte la pinza al carburador, conductos de gasolina o láminas metálicas. Conéctela a una parte metálica de gran calibre o al bloque del motor.
- Cuando desconecte el cargador, apague los interruptores, desenchufe el cable AC, desconecte la pinza del chasis del vehículo y quite la pinza de la terminal de batería.
- Consulte el manual de instrucciones para obtener la duración de la carga.

18. SIGA ESTOS PASOS CUANDO LA BATERÍA ESTÉ FUERA DEL VEHÍCULO. UNA CHISPA FUERA DE LA BATERÍA PUEDE CAUSAR SU EXPLOSIÓN. PARA REDUCIR EL RIESGO DE CHISPA CERCA DE LA BATERÍA:

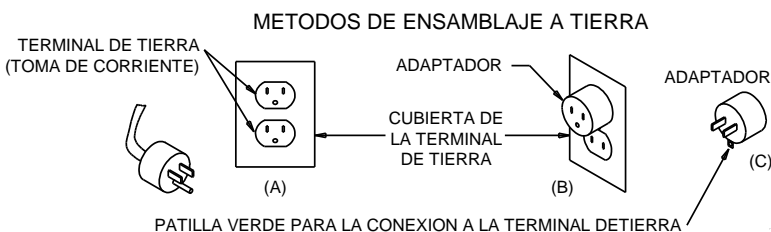
- Compruebe la polaridad de las terminales de la batería. La terminal POSITIVA (POS, P, +) de la batería tiene normalmente un mayor diámetro que la NEGATIVA (NEG, N, -).
- Conecte un cable de batería aislado de 24 pulgadas de largo y de 6 AWG de calibre a la terminal NEGATIVA (NEG, N -) de la batería.
- Conecte la pinza POSITIVA (ROJA) del cargador a la terminal POSITIVA (POS, P, +) de la batería.
- Colóquese usted mismo y las terminales libres de los cables lo más lejos posible, entonces conecte la pinza NEGATIVA (NEGRA) del cargador a la terminal libre del cable.
- No esté de cara a la batería cuando efectúe la conexión final.
- Cuando desconecte el cargador hágalo siempre de forma inversa al procedimiento de conexión y quite la primera conexión estando lo más lejos posible de la batería.
- Una batería marina (barco) debe ser quitada y cargada en la costa. Para cargarla a bordo se requiere un equipo diseñado especialmente para uso marino.

19. INSTRUCCIONES DE CONEXIÓN A TIERRA Y CONEXIÓN AC

El cargador debe estar conectado a tierra para reducir el riesgo de shock eléctrico. El cargador está equipado con un cable y enchufe diseñados para tal conexión. El enchufe debe estar conectado a una toma que esté correctamente instalada y conectada a tierra de acuerdo con todos los códigos y ordenanzas locales.

PELIGRO. Nunca cambie el cable o enchufe AC provisto en el cargador. Si no se adapta a la toma de corriente, haga que un electricista cualificado la cambie. Una conexión incorrecta puede causar un shock eléctrico. El cargador de baterías utiliza 120 voltios y tiene un enchufe como el de la ilustración A. Un adaptador temporal, como el de la figura C, puede ser utilizado para conectar ese enchufe a una toma de dos polos, como se muestra en la figura B hasta que el electricista cualificado cambie dicha toma de corriente.

PELIGRO. Antes de utilizar el adaptador como se muestra asegúrese de que el tornillo central de la toma de corriente esté conectado a tierra. La patilla verde del adaptador debe estar conectada a tierra. Si es necesario cambie el tornillo de la tapa de la toma de corriente por uno más largo para asegurar que la patilla haga una buena conexión a tierra.



20. PERÍODO DE CARGA

El tiempo aproximado para cargar totalmente la batería, depende del número de amperios-hora (AH) suministrados a la batería. Los AH se determinan multiplicando el número de horas por el número de amperios suministrados por la batería y normalmente están indicados en la misma. Por ejemplo, si la carga se conecta a una batería que suministra 7 amperios por un período de 5 horas, la batería habrá suministrado 35 AH. El tiempo aproximado de recarga se calcularía entonces dividiendo los 35 AH suministrados por la batería por el amperaje de carga del cargador. Para permitir que se cargue del todo, añadir un 25% del tiempo de carga

21. INSTRUCCIONES DE OPERACIÓN

- **LUZ ROJA INTERMITENTE LENTA** – Indica que la batería puede estar descargada.
- **LUZ ROJA INTERMITENTE RÁPIDA** – Antes de cargar, indica que la batería está conectada al revés; revise la conexión.
- **LUZ ROJA CONTINUA** – Indica que la alimentación de CA está encendida.
- **LUZ VERDE CONTINUA** – Indica una conexión correcta. Si cuando se conecta la batería, la luz verde no se enciende, verifique que haya una polaridad adecuada o si hay malas conexiones. Si el voltaje de la batería es menor de 4 voltios, la luz verde no se encenderá.
- **LUZ VERDE INTERMITENTE** – Indica que se ha completado la carga y que la cargador está en el modo Flotación.
- **LUZ AMARILLA CONTINUA** – Indica que la batería se está cargando, carga en masa, menos del 80% cargado.
- **LUZ AMARILLA INTERMITENTE** – Indica terminar carga, más del 80% cargado.
- **LUCE VERDE Y AMARILLA INTERMITENTES** – Baterías no selladas solamente. Indica la primera etapa del proceso de recuperación de una descarga profunda.

NOTAS:

DEMORA DE CUATRO SEGUNDOS – El cargador verifica que la polaridad de la batería sea la correcta para evitar que eche chispas. Al estar conectada correctamente, la luz verde se encenderá por cuatro segundos antes de que se encienda la luz amarilla.

RECUPERACIÓN DE DESCARGA PROFUNDA – Si el cargador determina que una batería está profundamente descargada, tratará de recuperar la misma con un programa destinado a mejorar la aceptación de la carga. Debido a los niveles de voltaje requeridos para la recuperación, este programa no se incluye para las baterías herméticas.

PROCEDIMIENTO DE OPERACIÓN:

1. Conecte el cable de corriente alterna al enchufe. Ponga el interruptor (POWER) en la posición encendido (ON). La luz ROJA se encenderá.
2. Seleccione el modo de funcionamiento No sellada o Sellada/Gel. La mayoría de las baterías VRLA se cargan en el modo No Sellada. Vea más detalles en el manual de la batería. En caso de duda, cargue la batería en el modo Sellada.
3. Conecte la pinza NEGRA al polo negativo (-) y la pinza ROJA al polo positivo (+). La luz VERDE se encenderá por 4 segundos. Lea la sección de PREPARANDO PARA CARGAR, bajo el título IMPORTANTES INSTRUCCIONES DE SEGURIDAD de este manual.
4. La luz AMARILLA se encenderá cuando se apague la luz VERDE y entonces comenzará la carga.
5. Si la batería tiene una carga excesivamente baja, las luces AMARILLA y VERDE se encenderán y apagarán por hasta 30 minutos con las baterías no selladas.
6. La función de carga se desactivará si la batería no aceptara más carga después de una cantidad de tiempo razonable y la luz ROJA se encenderá y apagará.
7. El tiempo de carga dependerá del tamaño y la condición de la corriente acumulada de la batería.
8. Al terminar la carga sonará un pitido y la entonces se encenderá la luz VERDE intermitentemente.

NOTAS SOBRE CÓMO CARGAR BATERÍAS EXCESIVAMENTE DESCARGADAS:

- a. No todas las baterías profundamente descargadas pueden recuperarse.
- b. La mayoría de las baterías bajas serán detectadas durante la carga. Sin embargo, algunas baterías cargadas después de que han estado excesivamente bajas mantendrán un voltaje de circuito abierto aceptable, pero tendrán una capacidad reducida al usarlas. Siempre haga una prueba de uso o ponga a prueba una batería para determinar si su capacidad CCA cae dentro del 80% del valor indicado.

NEUTRALIZACIÓN DE LAS BATERÍAS DESCARGADAS

Si el voltaje de la batería es menor de 4V, el cargador no reconocerá que se ha conectado a una batería. La mayoría de las baterías, aun si están descargadas completamente, se recuperarán a un voltaje mayor de 4V, pero si la batería se deja descargada durante un período de tiempo prolongado, el voltaje puede ser menor de 4V. Este cargador ha sido equipado con un interruptor de Neutralización de las Baterías Descargadas, que puede usarse para iniciar el cargador si el voltaje de la batería es menor de 4V.

MANEJO:

- a. Conecte al cargador la batería excesivamente descargada; la batería debe colocarse lo más dentro posible según lo permitan los cables. (Consultar la Sección 18). Asegúrese de que la batería esté conectada con la polaridad correcta.
- b. Oprima y mantenga oprimido el interruptor de neutralización; el LED verde debe encenderse y, si observa el voltaje de la batería, verá que aumenta.

PRECAUCIÓN: Nunca oprima el interruptor de neutralización sin que una batería esté conectada.

- c. Después de algunos segundos, suelte el interruptor de neutralización; si la batería acepta la carga, empezará a cargarse. Para obtener mejores resultados, el interruptor de Tipo de Batería debe estar en No Sellada. Si la batería es de tipo sellado, entonces el interruptor de Tipo de Batería puede cambiarse después de que la batería haya alcanzado el punto de emisión de gases (la luz amarilla empieza a parpadear).
- d. Es posible que haya que conectar varias veces la batería al cargador antes de que deje de indicar que es una batería mala (Luz roja intermitente).

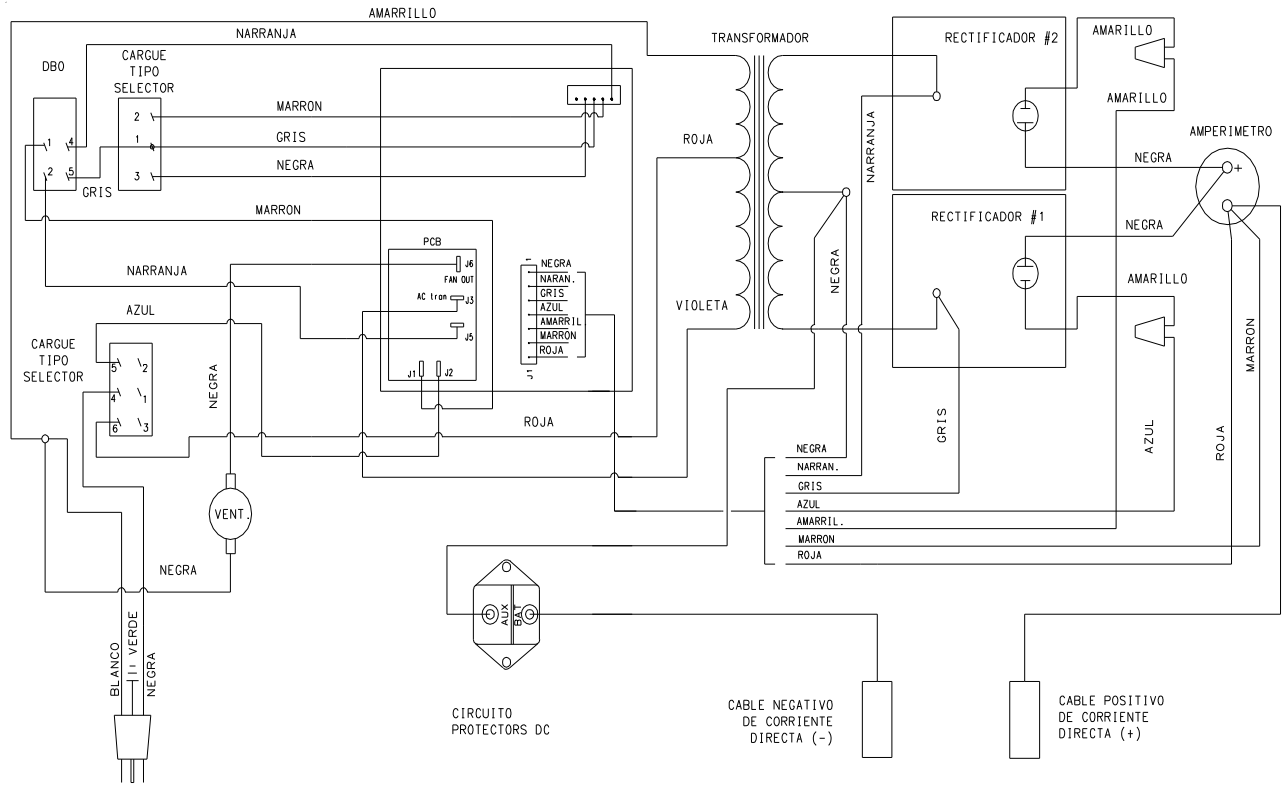
NOTA: El usuario sólo necesitaría oprimir la neutralización en el primer intento para recuperar la batería.

22. INSTRUCCIONES DE OPERACIÓN: SISTEMA DE ESTABILIDAD ELÉCTRICA

Funcionamiento general

1. Con el cable de alimentación CA conectado en una salida, la luz Roja permanecerá encendida de forma continua.
2. Para obtener los mejores resultados, la batería debe estar totalmente cargada antes de utilizarla con el sistema de estabilidad eléctrica.
3. Ajuste el interruptor selector en ESS/FLASH (centro).
4. Conecte la pinza RED al positivo de la batería (+). Conecte la pinza negra al chasis conectado a tierra del vehículo (vea Sec-17 sobre cómo cargar las baterías instaladas en un vehículo). En el caso poco frecuente de que el vehículo tenga una conexión a tierra positiva, conecte la pinza negra al borne negativo de la batería (-) y la pinza roja al chasis.
5. Cuando el cargador detecte que hay voltaje presente en la batería, la luz VERDE se excederá durante 4 segundos. Luego, se encenderá la luz AMARRILLA y la unidad comenzará a aumentar gradualmente la corriente CC. Cuando el cargador alcance el nivel de funcionamiento seguro, la luz AMARRILLA comenzará a encenderse intermitentemente.
6. La unidad no se apagará. Mantendrá el voltaje dentro de su capacidad hasta que la unidad se apague.
7. Si el voltaje cayera por debajo del nivel especificado, la luz AMARRILLA volverá a permanecer encendida de forma continua. Si la unidad no puede mantener el nivel de voltaje durante más de 20 segundos, la luz ROJA comenzará a parpadear. En ese momento, la unidad suministrará la salida máxima y deberá monitorearse el voltaje de la batería para asegurar que no caiga por debajo de los niveles mínimos requeridos para las pruebas y/o programación.

DIAGRAMA DE CABLES

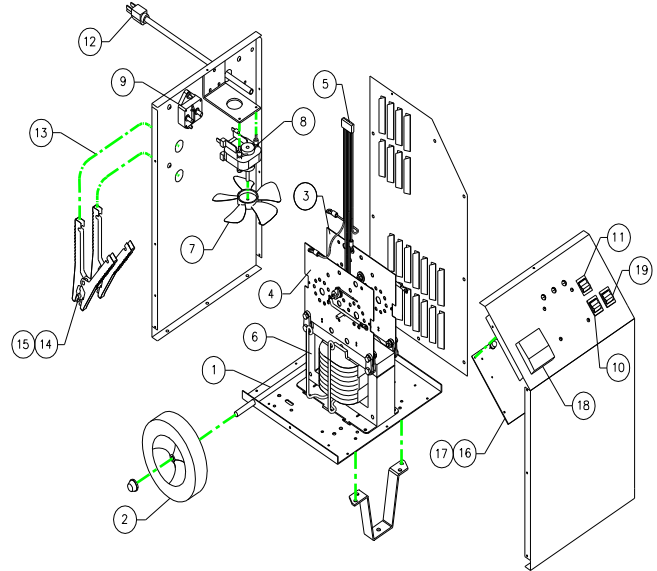


PARTES DE REPARACIÓN

Artículo	Descripción	N. Pieza
1	Barra con tuercas.....	610052
2	Ruedas con tuercas (2).....	611157
3	Rectificador (#1).....	611467
4	Rectificador (#2).....	611468
5	Aprovechar.....	611237
6	Transformador	611469
7	Hélice del ventilador.....	610189
8	Motor del ventilador con aspas de ventilador	610190
9	Circuito protector CD	610536
10	Interruptor momentáneo	610263
11	Interruptor ON-OFF-ON	611167
12	Cordón AC	611185
13	Cables CD.....	611219
14	Pinzas (1 par incluyen mordazas).....	6199
15	Set de Mordazas (repara una pinza).....	610970
16	Tablero de circuitos.....	611311
17	Tablero de circuitos control del ventilador	611470
18	Amperímetro	605204
19	Interruptor DPDT.....	611300

Partes no Mostrado

Agarradera.....	605213
Barra de Presilla	610517



INSTRUCCIONES DE MANTENIMIENTO.

Las pinzas corroídas deben ser reemplazadas. piezas corroídas deben ser reemplazadas. Piezas corroídas pueden producir malas conexiones y puede ser peligroso. Mirar la lista de piezas por el cordón de DC. Cualquier reparación o mantenimiento de esta unidad que lleve consigo desarmar la cabina debe ser hecho por una persona cualificada. Una reconstrucción incorrecta puede resultar en peligro de descarga eléctrica cuando la unidad es usada consecuentemente.

ASSOCIATED EQUIPMENT CORPORATION
ST. LOUIS, MO 63115
TEL. (314)385-5178 FAX. (314)385-3254
www.associatedequip.com