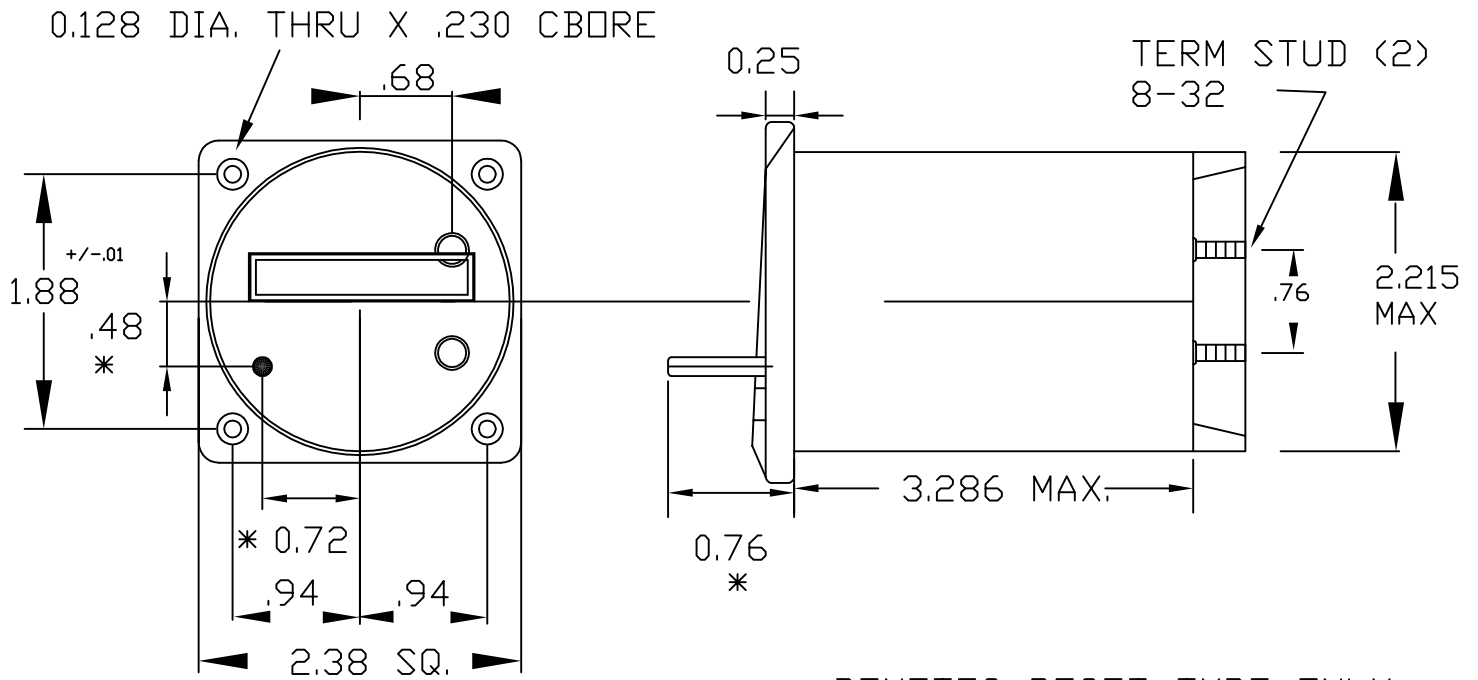
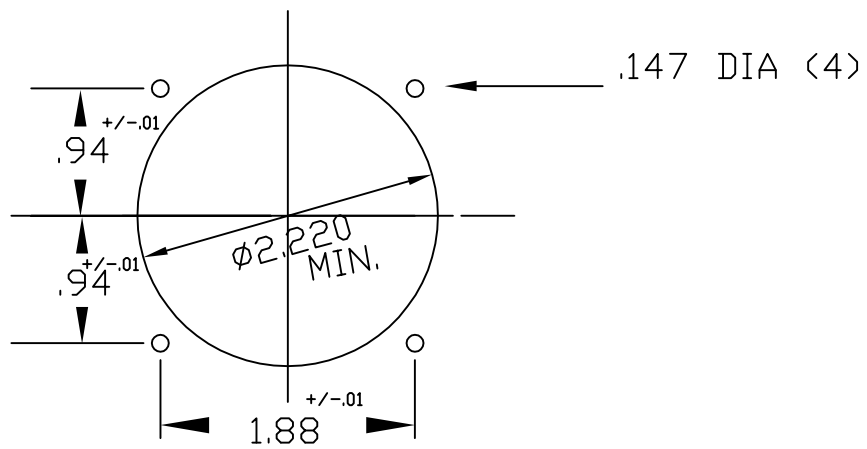


FIG. 22A. 2 1/2 TYPE 240 SQUARE CASE
 REV 6/18/03 (DWG 3151K59)



* DENOTES RESET TYPE ONLY.



PANEL DRILLING