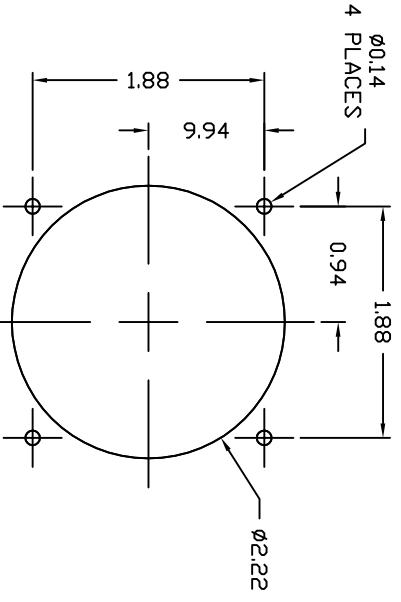
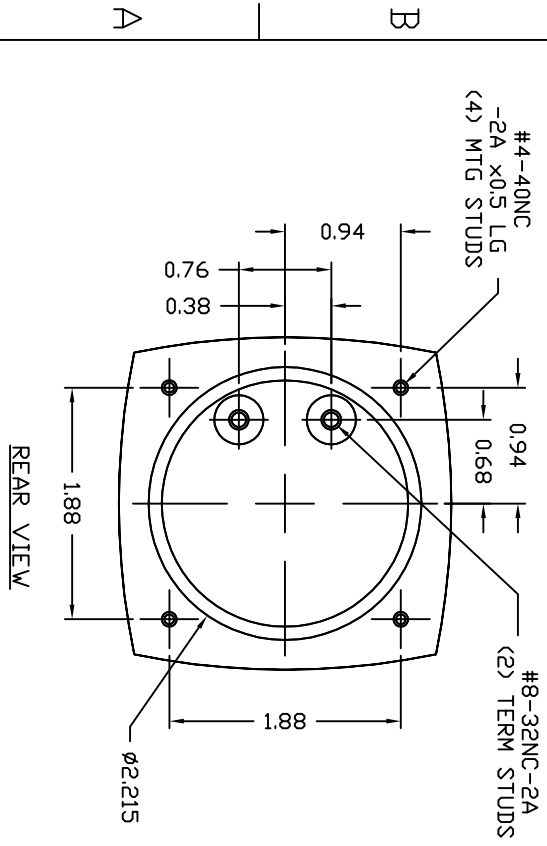
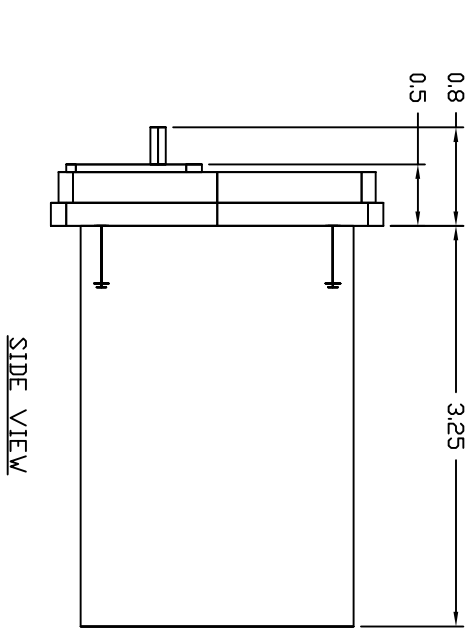
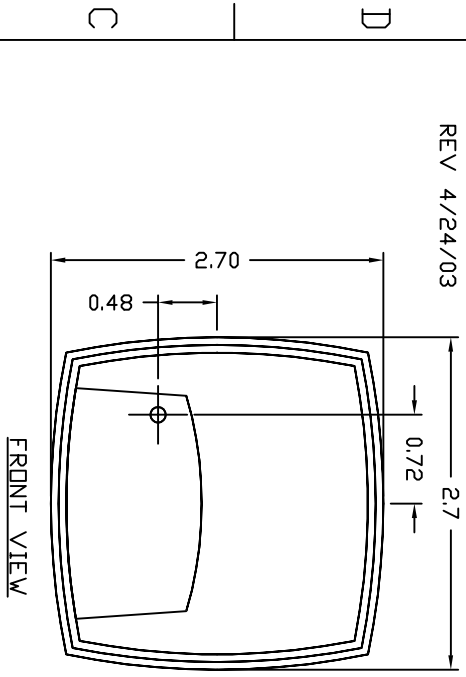


4 3 2 1

FIG. 20A. NEW BIG LOOK 2 1/2 TYPE 240 TIME METER
REV 4/24/03



PANEL DRILLING PATTERN

INDEX	SHEET	1	2	3	4	5	6	7	8	9	10	11	12	13	14
DESIGN	REVISION	2	-	-	-	-	-	-	-	-	-	-	-	-	-
FINISH	DATE	04/24/03	-	-	-	-	-	-	-	-	-	-	-	-	-
FIRST USED	DATE	04/24/03	-	-	-	-	-	-	-	-	-	-	-	-	-
DRAWN BY:	DATE	04/24/03	-	-	-	-	-	-	-	-	-	-	-	-	-
CHECKED BY:	DATE	04/24/03	-	-	-	-	-	-	-	-	-	-	-	-	-

YOKOGAWA
NEWARK, GEORGIA 30855

TITLE: 2 BART ROAD
TYPE 240 2.5' BL METER
METER DETAILS

DRAWING NO. 3151K36
SCALE: FULL SCALE

DRAWING SIZE: B

SHEET: 1 OF 1

4 3 2 1