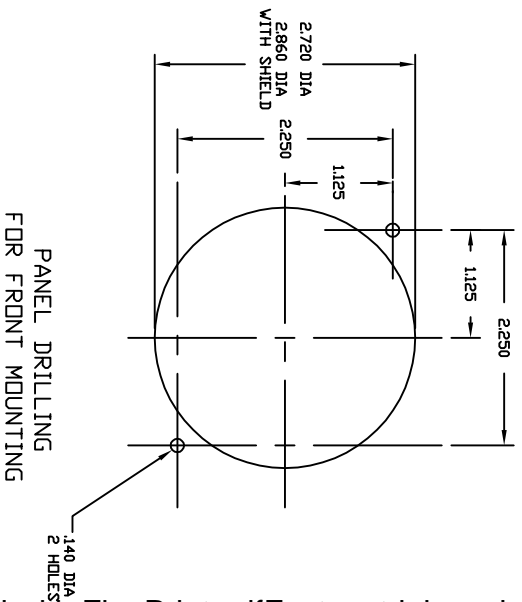
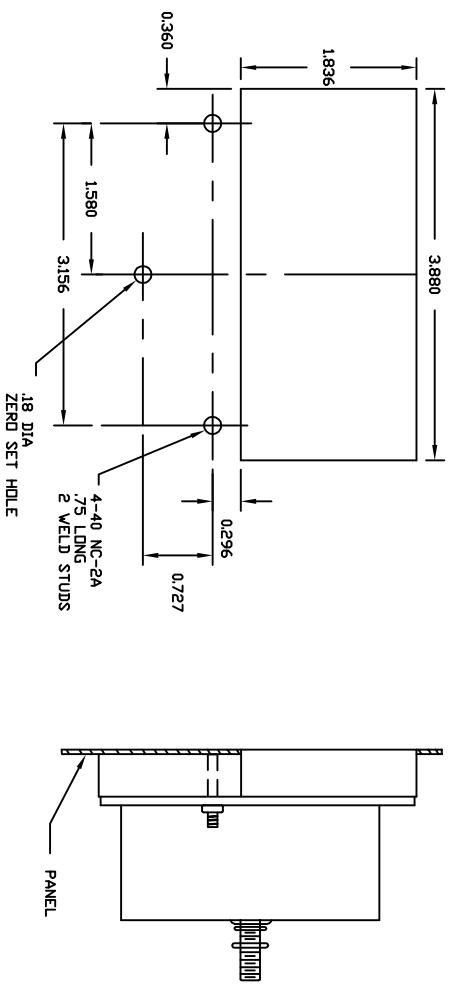
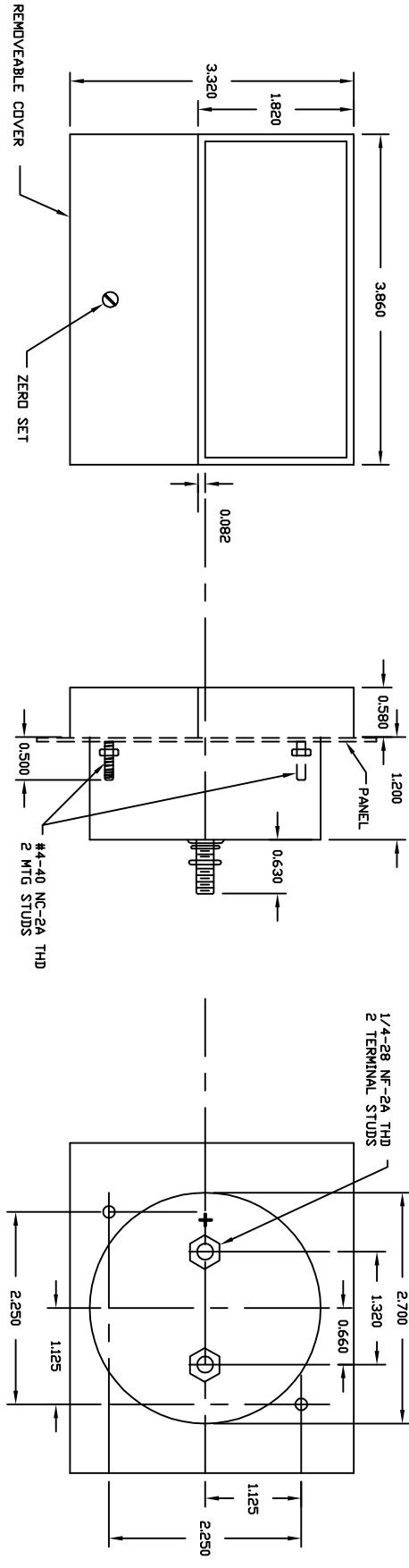


FIG. 7. NEW HORIZON LINE 3 1/4 INCH TYPES 251 & 255
 REV 1/17/03 (DWG. 3151K12)



PANEL CUTOUT
 FOR MOUNTING METER BEHIND PANEL

PANEL DRILLING
 FOR FRONT MOUNTING