



# Control Power Transformer

**Model CPT3-60-075-5**

**APPLICATION:**

To provide power in Motor Control centers and Distribution Switchgear

**FREQUENCY:**

50/60 Hz.

**INSULATION LEVEL:**

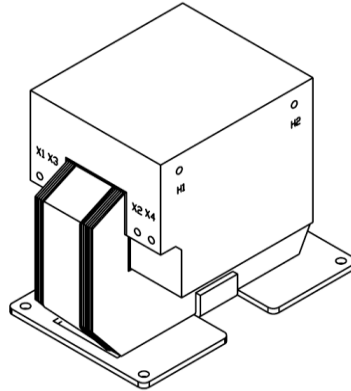
6.9 kV, 60 kV BIL. full wave

**THERMAL RATING:**

At 30°C. amb.

**APPROXIMATE WEIGHT:**

27 lbs.



**CERTIFICATIONS:**

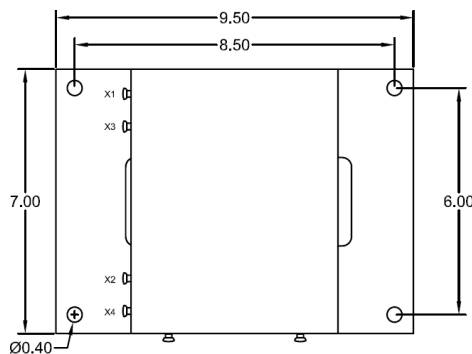


**MODEL CPT3-60-075-5**

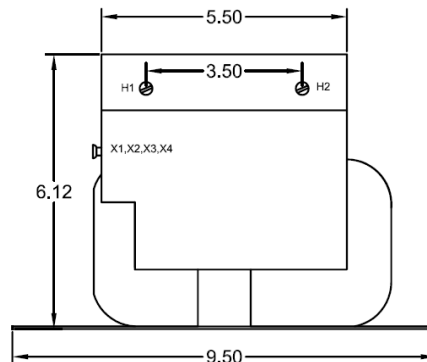
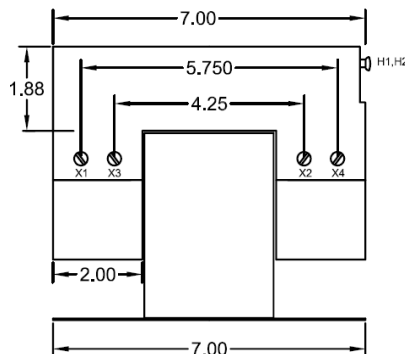
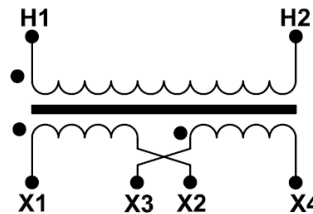
Approximate weight: 27 lbs.

CATALOG NUMBER	PRIMARY VOLTAGE	RATIO AT 120 V	SECONDARY VOLTAGE	FREQUENCY Hz	THERMAL RATING
CPT3 60 075 2400 – 5	2400	21.81	110/220	50/60	0.75 kVA
CPT3 60 075 3300 – 5	3300	30.00	110/220	50/60	0.75 kVA
CPT3 60 075 4160 – 5	4160	37.81	110/220	50/60	0.75 kVA
CPT3 60 075 4800 – 5	4800	43.63	110/220	50/60	0.75 kVA
CPT3 60 075 5000 – 5	5000	45.45	110/220	50/60	0.75 kVA
CPT3 60 075 5500 – 5	5500	50.00	110/220	50/60	0.75 kVA
CPT3 60 075 6000 – 5	6000	54.54	110/220	50/60	0.75 kVA
CPT3 60 075 6600 – 5	6600	60.00	110/220	50/60	0.75 kVA
CPT3 60 075 6900 – 5	6900	62.72	110/220	50/60	0.75 kVA

- Primary and secondary terminal are brass screws No. 10-32 with one flat washer and lockwasher.
- Transformer winding is vacuum encapsulated in polyurethane resin with temperature insulation class of 105°C
- Plated steel mounting base
- For indoor use



**CONNECTION DIAGRAM**



Products are manufactured in a plant whose quality management system is certified / registered as being in conformity with ISO 9001