



# Control Power Transformer

**Model CPT3-60-075-6**

**CERTIFICATIONS:**



**APPLICATION:**

To provide power in Motor Control centers and Distribution Switchgear

**FREQUENCY:**

50/60 Hz.

**INSULATION LEVEL:**

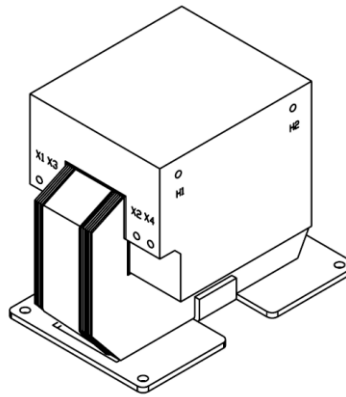
6.9 kV, 60 kV BIL. full wave

**THERMAL RATING:**

At 30°C. amb.

**APPROXIMATE WEIGHT:**

25 lbs.



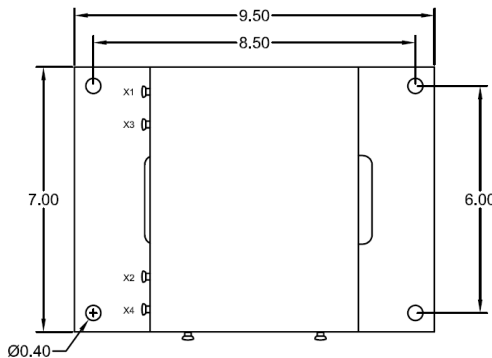
**MODEL CPT3-60-075-6**

Approximate weight: 25 lbs.

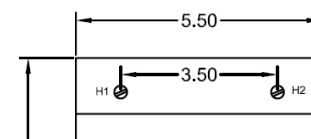
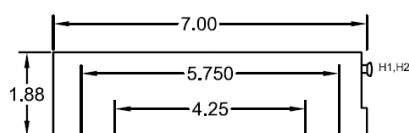
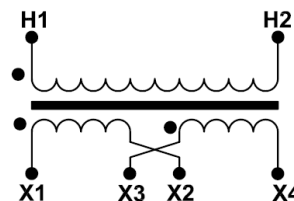
CATALOG NUMBER	PRIMARY VOLTAGE	RATIO AT 120 V	SECONDARY VOLTAGE	FREQUENCY Hz	THERMAL RATING
CPT3 60 075 2400 – 6	2400	20.00	120/240	50/60	0.75 kVA
CPT3 60 075 3300 – 6	3300	27.50	120/240	50/60	0.75 kVA
CPT3 60 075 4160 – 6	4160	34.66	120/240	50/60	0.75 kVA
CPT3 60 075 4800 – 6	4800	40.00	120/240	50/60	0.75 kVA
CPT3 60 075 5000 – 6	5000	41.66	120/240	50/60	0.75 kVA
CPT3 60 075 5500 – 6	5500	45.83	120/240	50/60	0.75 kVA
CPT3 60 075 6000 – 6	6000	50.00	120/240	50/60	0.75 kVA
CPT3 60 075 6600 – 6	6600	55.00	120/240	50/60	0.75 kVA
CPT3 60 075 6900 – 6	6900	57.50	120/240	50/60	0.75 kVA

- Primary and secondary terminal are brass screws No. 10-32 with one flat washer and lockwasher.
- Transformer winding is vacuum encapsulated in polyurethane resin with temperature insulation class of 105°C

- Plated steel mounting base
- For indoor use



CONNECTION DIAGRAM



6.12



## Control Power Transformer

**Model CPT3-60-075-6**

Products are manufactured in a plant whose quality management system is certified / registered as being in conformity with ISO 9001