



Current Transformer

Model 780

APPLICATION:

Relaying and Metering

FREQUENCY:

50-400 Hz.

INSULATION LEVEL:

600 Volts. 10 kV BIL. full wave

CONTINUOUS THERMAL RATING FACTOR:

50:5 thru 1200:5 2.0 at 30°C amb, 1.5 at 55°C amb, 1500:5 thru 4000:5 1.5 at 30°C amb., 1.33 at 55°C amb.

WINDOW DIAMETER:

6.50"

APPROXIMATE WEIGHT:

30 lbs.

CONNECTIONS:

-Secondary terminals are No. 10-32 brass screws with one flat washer, lockwasher and regular nut.



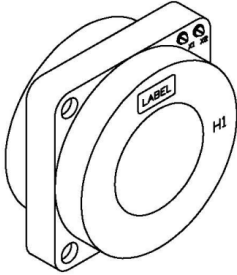
Model	780
Window Size	6.50
Width	9.88
Height	9.88
Depth	3.38

CERTIFICATIONS:

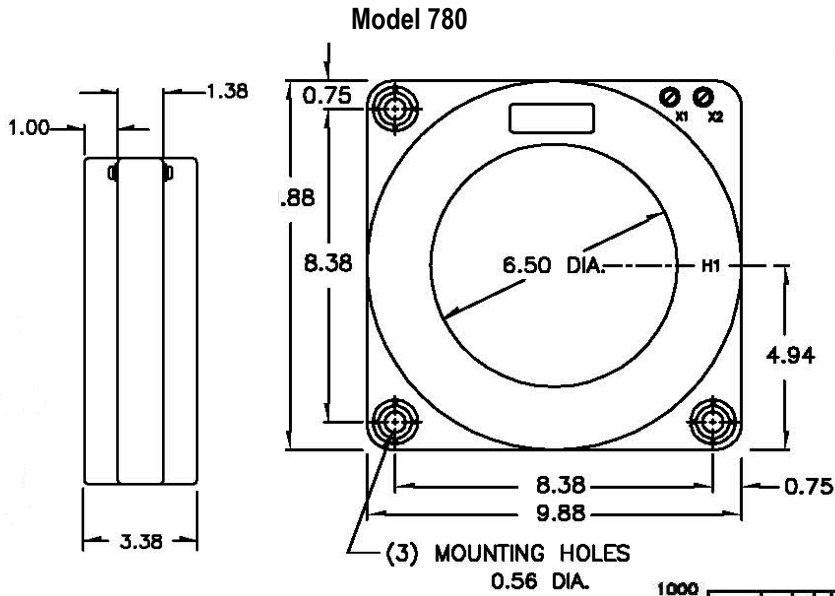


MODEL 780
Window Diameter 6.50"
Approximate weight: 30 lbs.

CATALOG NUMBER	CURRENT RATIO	RELAY CLASS	ANSI METERING CLASS AT 60 HZ					SECONDARY WINDING RESISTANCE (OHMS @ 75°C)
			B0.1	B0.2	B0.5	B0.9	B1.8	
780-500	50:5	-	4.8	-	-	-	-	0.008
780-750	75:5	C10	4.8	4.8	-	-	-	0.016
780-101	100:5	C10	1.2	2.4	4.8	-	-	0.027
780-151	150:5	C20	0.6	1.2	2.4	2.4	4.8	0.042
780-201	200:5	C20	0.6	0.6	1.2	2.4	4.8	0.054
780-251	250:5	C20	0.6	0.6	0.6	1.2	2.4	0.067
780-301	300:5	C20	0.3	0.6	0.6	1.2	2.4	0.097
780-401	400:5	C50	0.3	0.3	0.6	0.6	1.2	0.129
780-501	500:5	C50	0.3	0.3	0.3	0.6	0.6	0.161
780-601	600:5	C100	0.3	0.3	0.3	0.3	0.6	0.193
780-751	750:5	C100	0.3	0.3	0.3	0.3	0.6	0.242
780-801	800:5	C100	0.3	0.3	0.3	0.3	0.3	0.258
780-102	1000:5	C100	0.3	0.3	0.3	0.3	0.3	0.322
780-122	1200:5	C200	0.3	0.3	0.3	0.3	0.3	0.387
780-152	1500:5	C200	0.3	0.3	0.3	0.3	0.3	0.608
780-162	1600:5	C200	0.3	0.3	0.3	0.3	0.3	0.649
780-202	2000:5	C200	0.3	0.3	0.3	0.3	0.3	0.588
780-252	2500:5	C200	0.3	0.3	0.3	0.3	0.3	0.735
780-302	3000:5	C200	0.3	0.3	0.3	0.3	0.3	1.105
780-322	3200:5	C100	0.3	0.3	0.3	0.3	0.3	0.859
780-352	3500:5	C100	0.3	0.3	0.3	0.3	0.3	0.940
780-402	4000:5	C200	0.3	0.3	0.3	0.3	0.3	1.074
780-502	5000:5	C200	0.3	0.3	0.3	0.3	0.3	1.858



Products are manufactured in a plant whose quality management system is certified / registered as being in conformity with ISO 9001



EXCITATION CURVE

