



# Voltage Transformer

## Model 460

**FREQUENCY:**

60 Hz.

**STANDARD SECONDARY VOLTAGE:**

120 Volts

**INSULATION LEVEL:**

600 Volts. 10 kV BIL. full wave

**ACCURACY CLASS:**

0.6 W, 1.2 X at 60 Hz

**THERMAL RATING:**

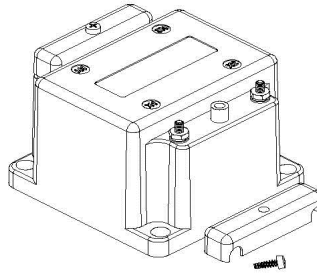
150 VA AT 30°C. AMB, 100 VA AT 55°C. amb.

**APPROXIMATE WEIGHT:**

7.75 lbs.

**CONNECTIONS:**

-Terminals are brass studs No. 10-32 with one lockwasher, flat washer, and regular nut



Model	460
Width	4.23
Height	3.34
Depth	2.30

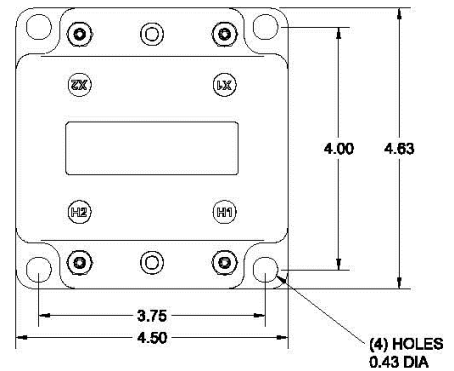
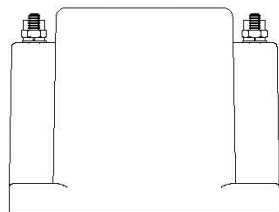
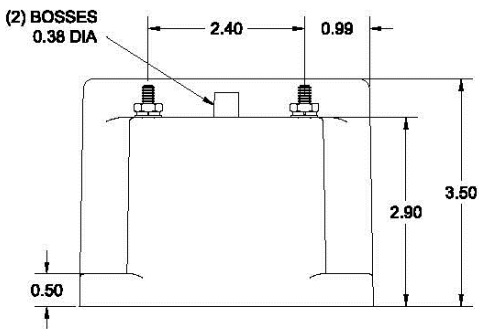
**CERTIFICATIONS:**



**MODEL 460**  
Approximate weight: 7.75 lbs.

CATALOG NUMBER NOT FUSED	VOLTAGE RATING	TURNS RATIO	REC. PRIMARY FUSE RATING
460-069	69.3:120	0.58:1	5
460-120	120:120	1:1	4
460-208	208:120	1.73:1	2
460-240	240:120	2:1	2
460-277	277:120	2.31:1	2
460-288	288:120	2.4:1	1.5
460-300	300:120	2.5:1	1.5
460-346	346:120	2.88:1	1.5
460-480*	480:120	4:1	1
460-600*	600:120	5:1	0.75

- Each transformer has two plastic terminal covers.
- The core and coil assembly is encased in a thermoplastic shell and filled with resin.
- These transformers are designed for operation line to line. They may also be operated line to ground or line to neutral at reduced voltage (58% of rated volts).
- It is desirable to use a 1.6 amp fuse in the secondary to protect the transformer.
- With two exceptions these transformers are ANSI C57.13 group 1. Those marked \* are group 2.
- Models designed specifically for 50 Hz operation are available with reduced performance consult factory for details.



Products are manufactured in a plant whose quality management system is certified / registered as being in conformity with ISO 9001